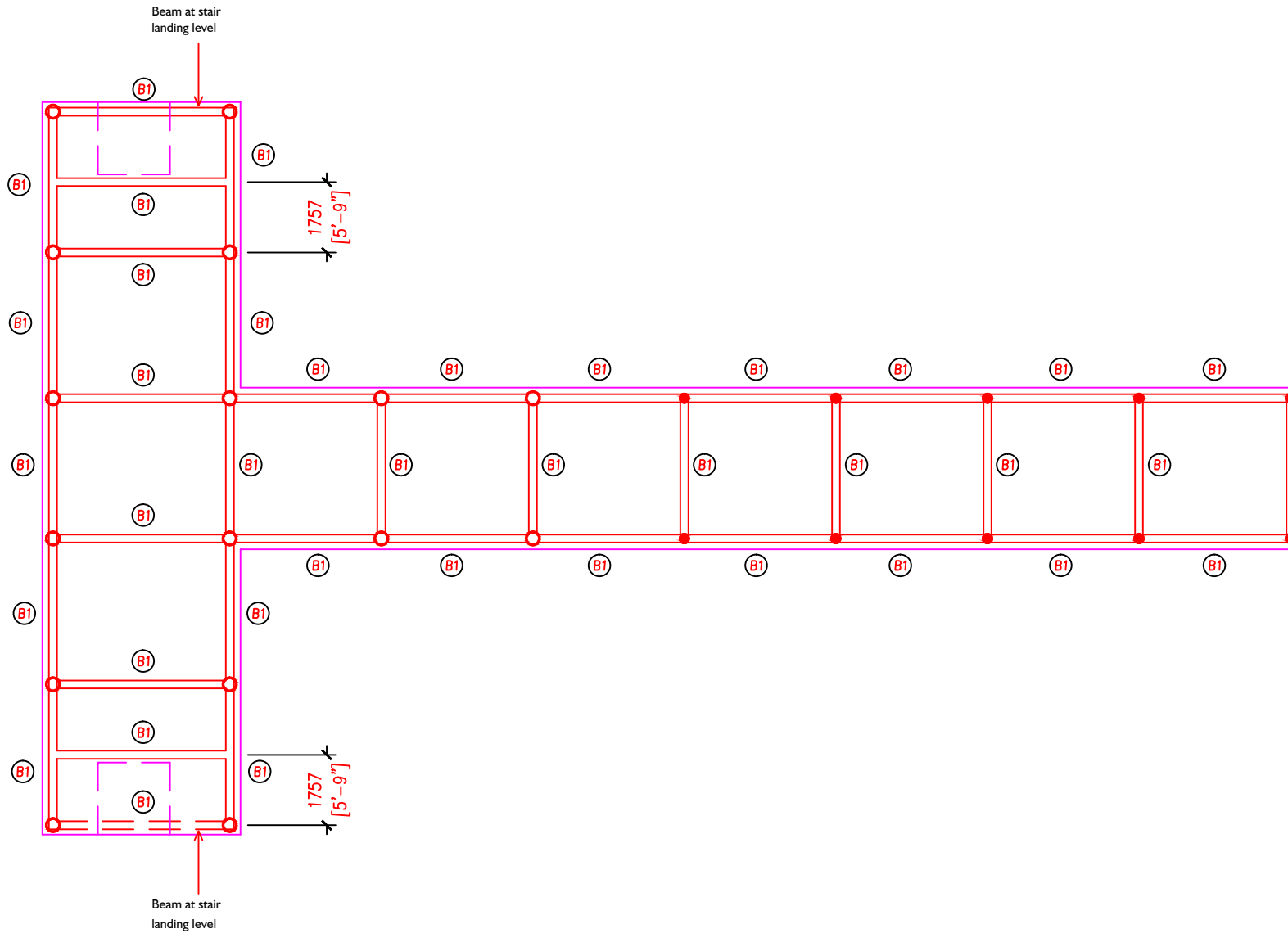
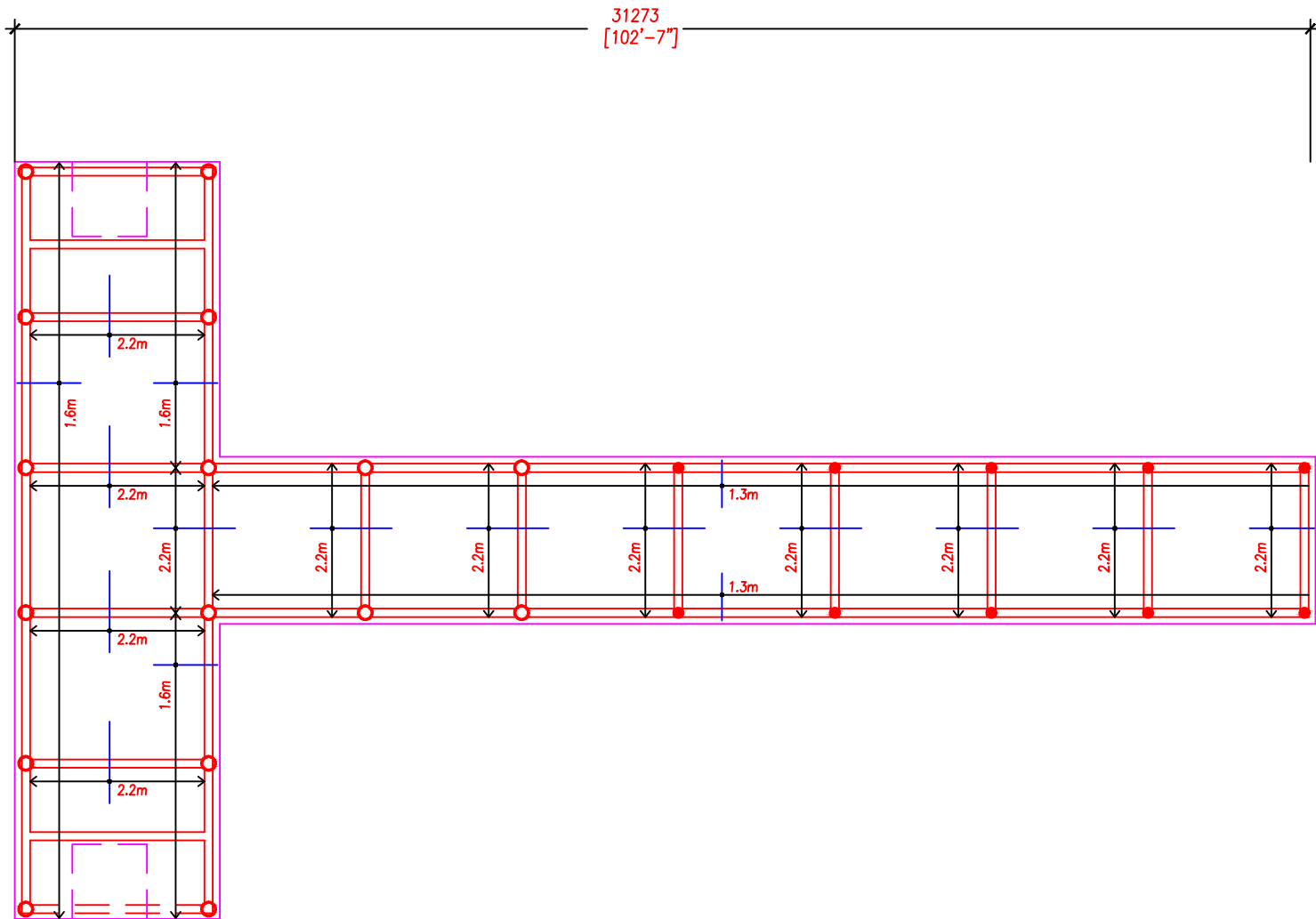


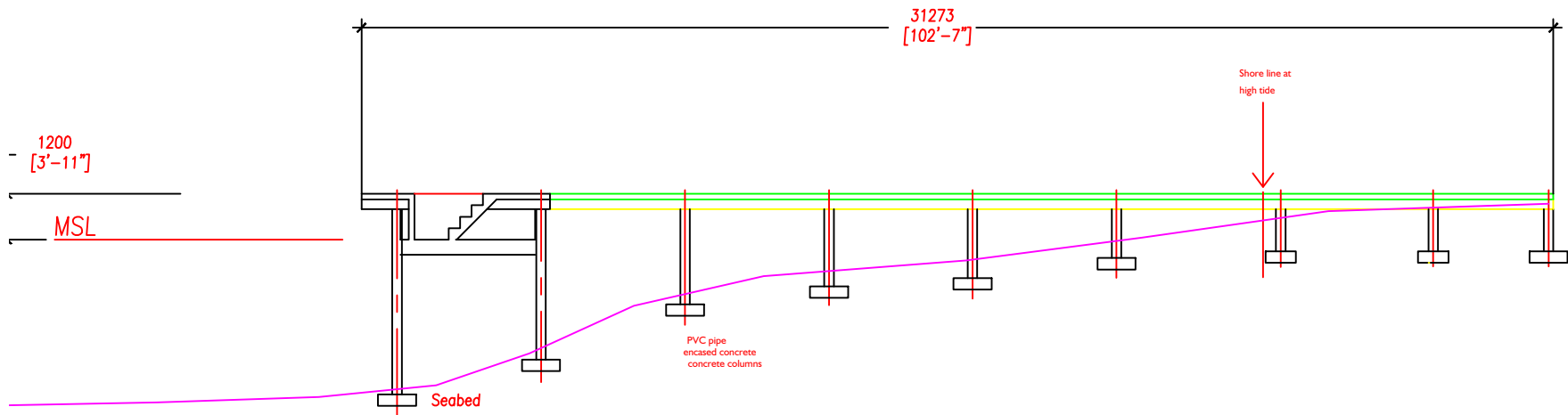
**JETTY PLAN**  
SCALE 1:250

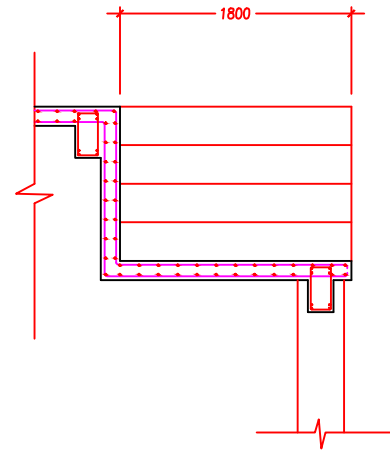
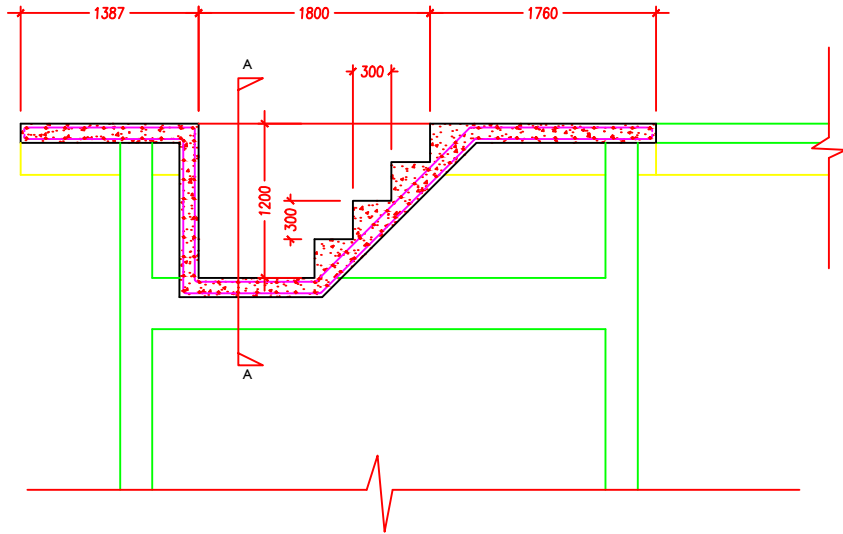
Note;  
M-Mooring Hook



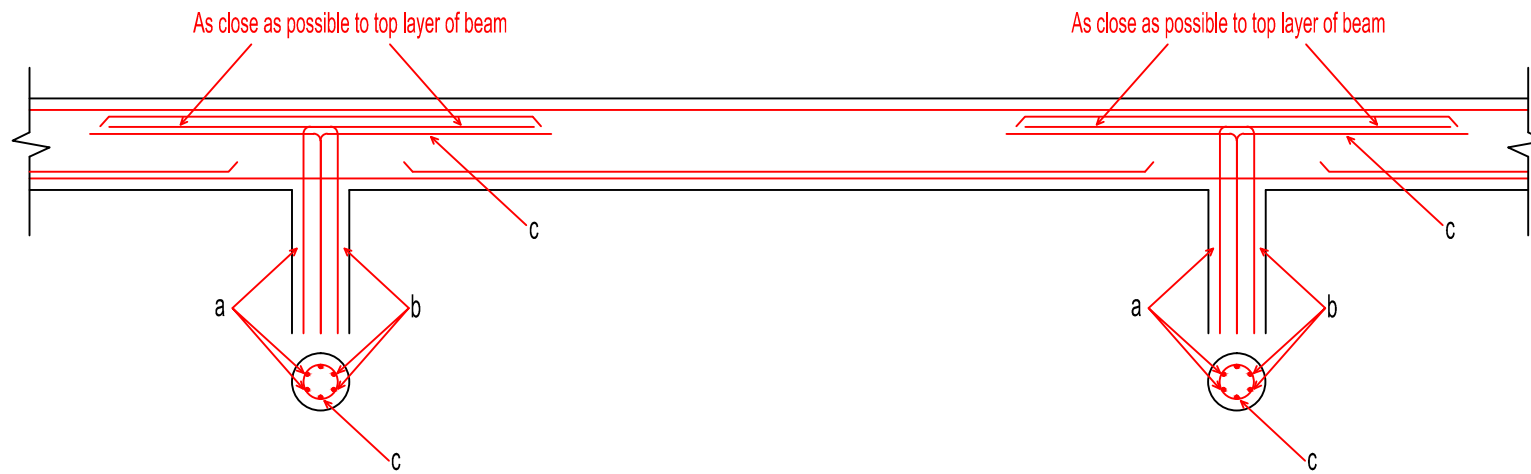
**BEAM PLAN**  
SCALE 1:250







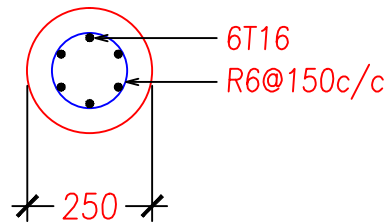
**STAIR CASE DETAIL**  
SCALE 1:50



Note: Shear links not shown for clarity

**COLUMN - BEAM FIXED CONNECTION DETAIL**

SCALE 1:25



CIRCULAR COLUMNS

All encased in PVC pipes

NOTE:

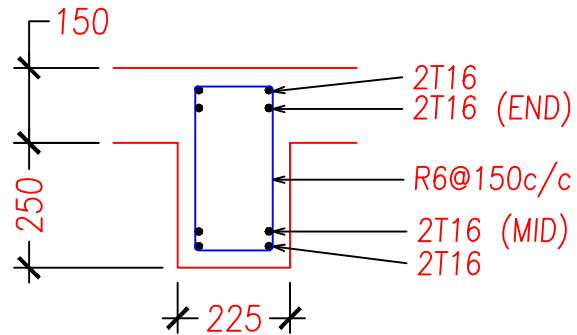
COLUMN CONCRETE COVER = 50mm

BEAM CONCRETE COVER = 40mm

Foundation for circular columns are

1200 x 1200 x 300

T12@150 BW at bot



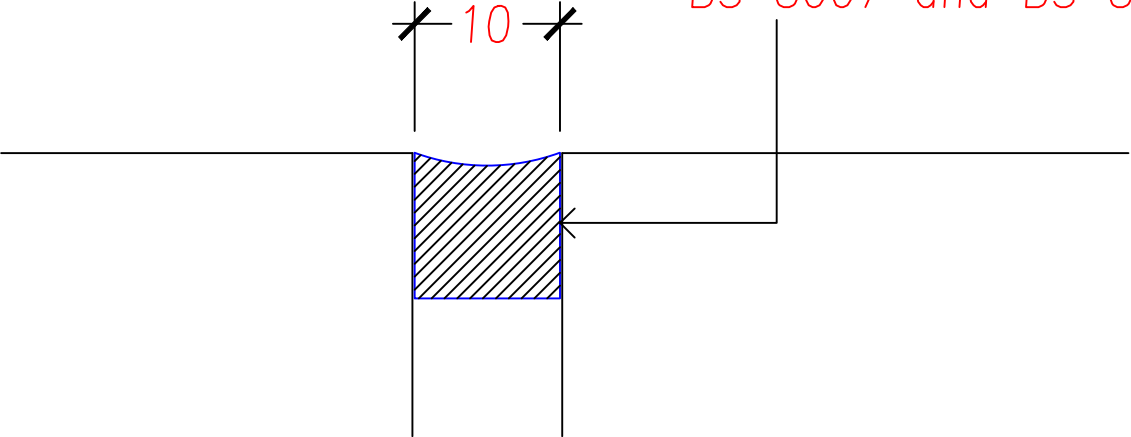
B1

STRUCTURALDETAIL

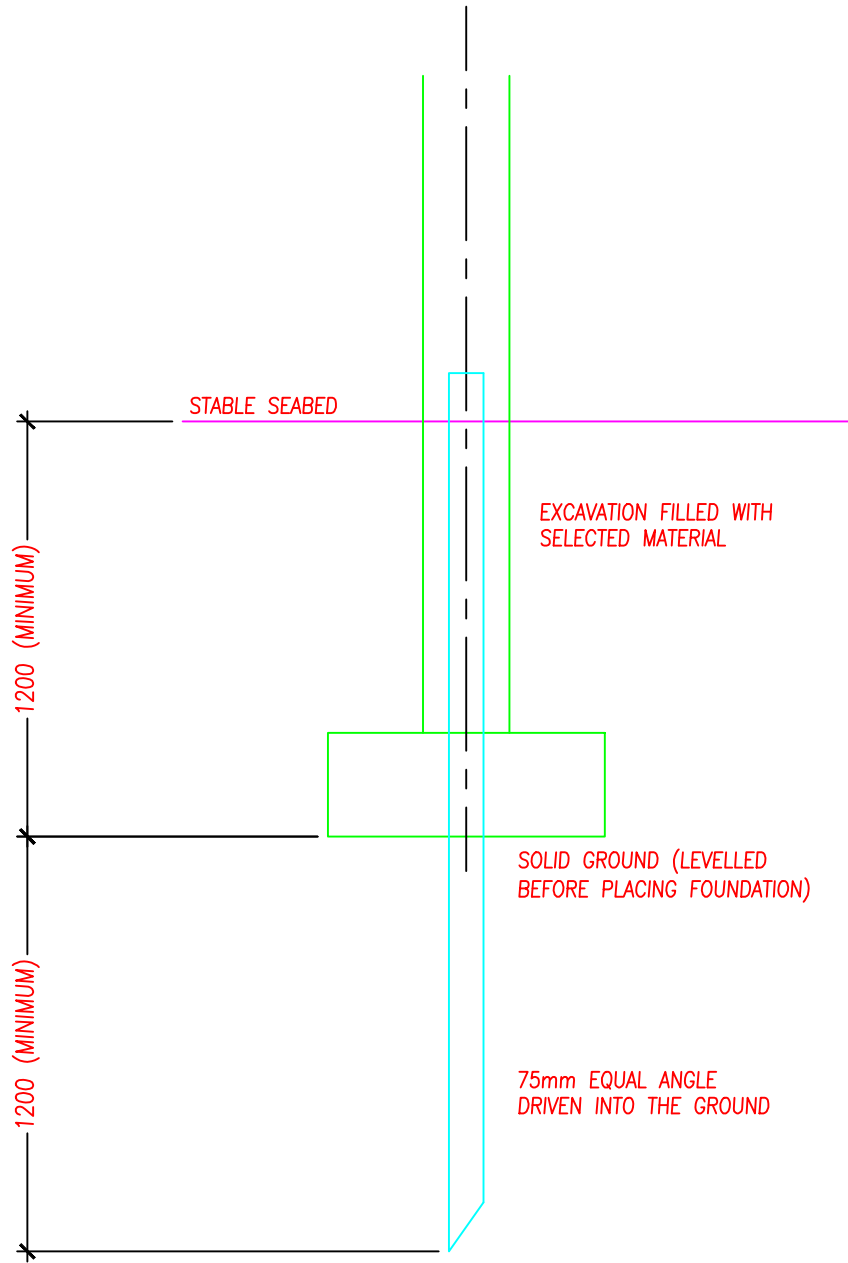
SCALE 1:20



Adhesive material as per  
BS 8007 and BS 8110



EXPANSION JOINT



**FOUNDATION PAD DETAIL**  
SCALE 1:20