

PROJECT:
 CONSTRUCTION OF
 ADH. MAHIBADHOO HARBOUR

CONTENTS:
 Quay Wall
 Block Details

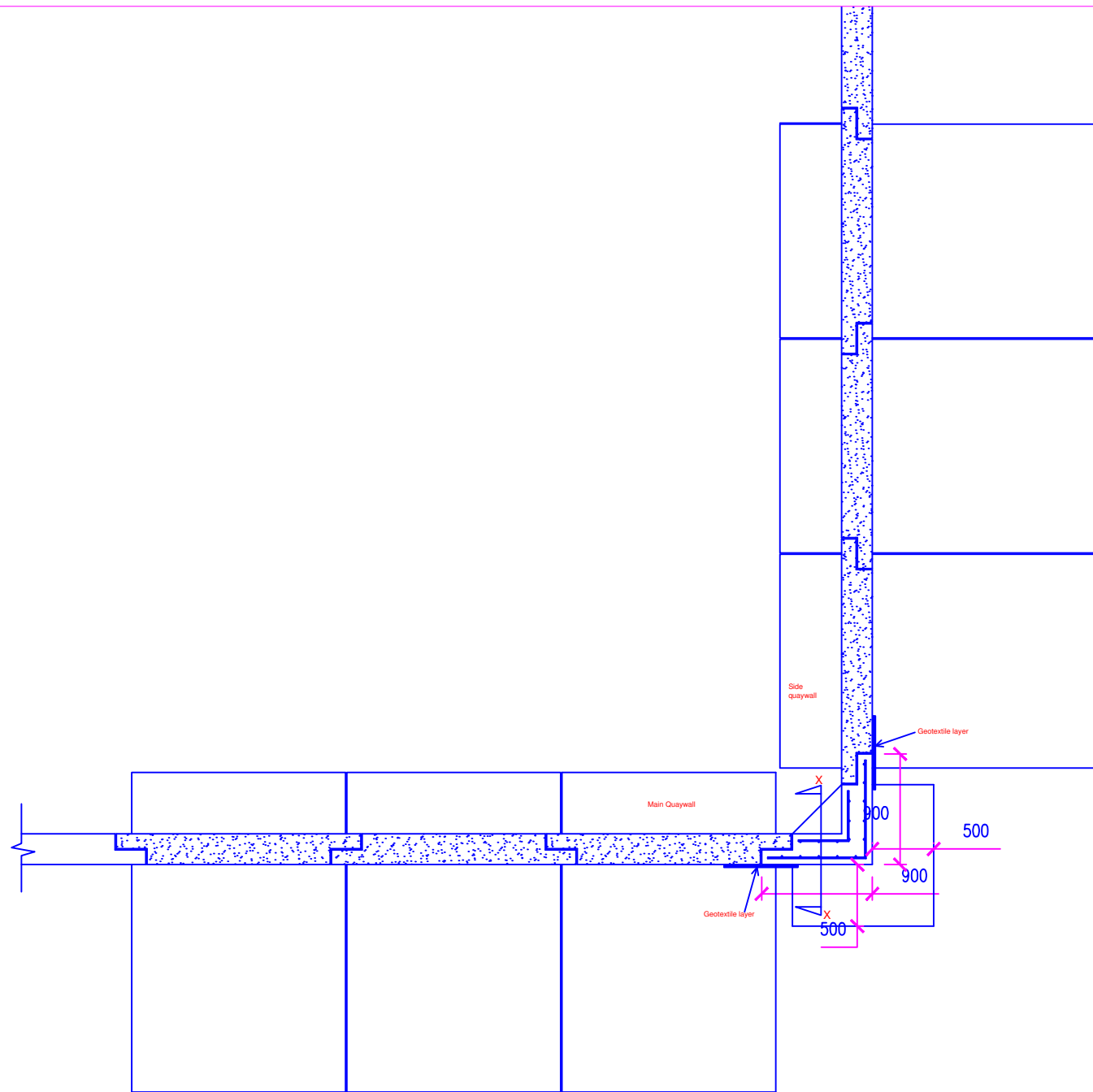
DRAWING NO.:
 001

SCALE:

DATE:
 27 APRIL 2017



INFRASTRUCTURE DEPARTMENT
 MINISTRY OF HOUSING AND INFRASTRUCTURE
 AMEENEE MAGU, MALE' 20392
 REPUBLIC OF MALDIVES
 TEL: 300 4300, FAX: 300 4301



PROJECT:
**CONSTRUCTION OF
 ADH. MAHIBADHOO HARBOUR**

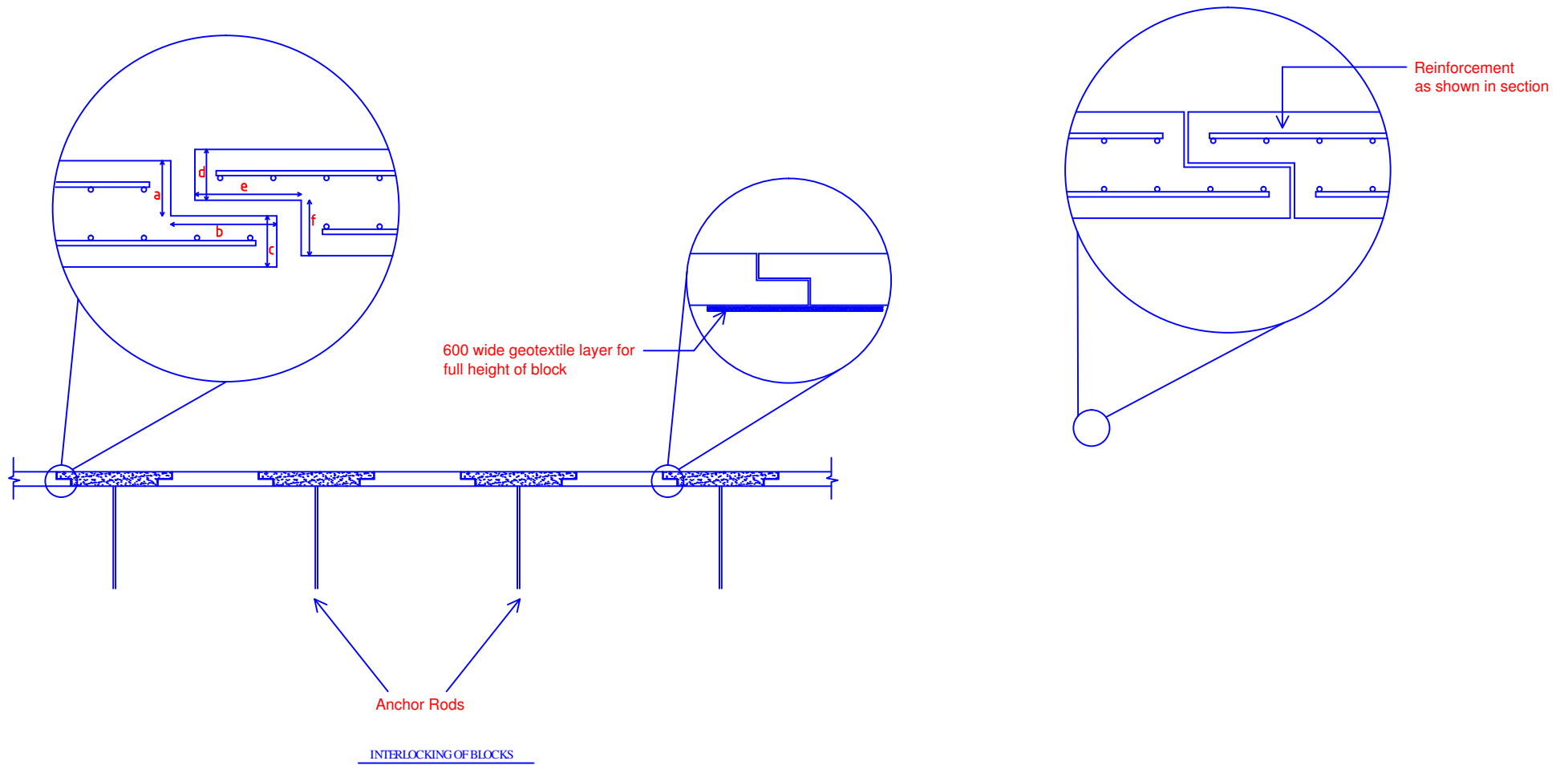
CONTENTS:
**Quay Wall Corner
 Block Details**


DRAWING NO.:
002

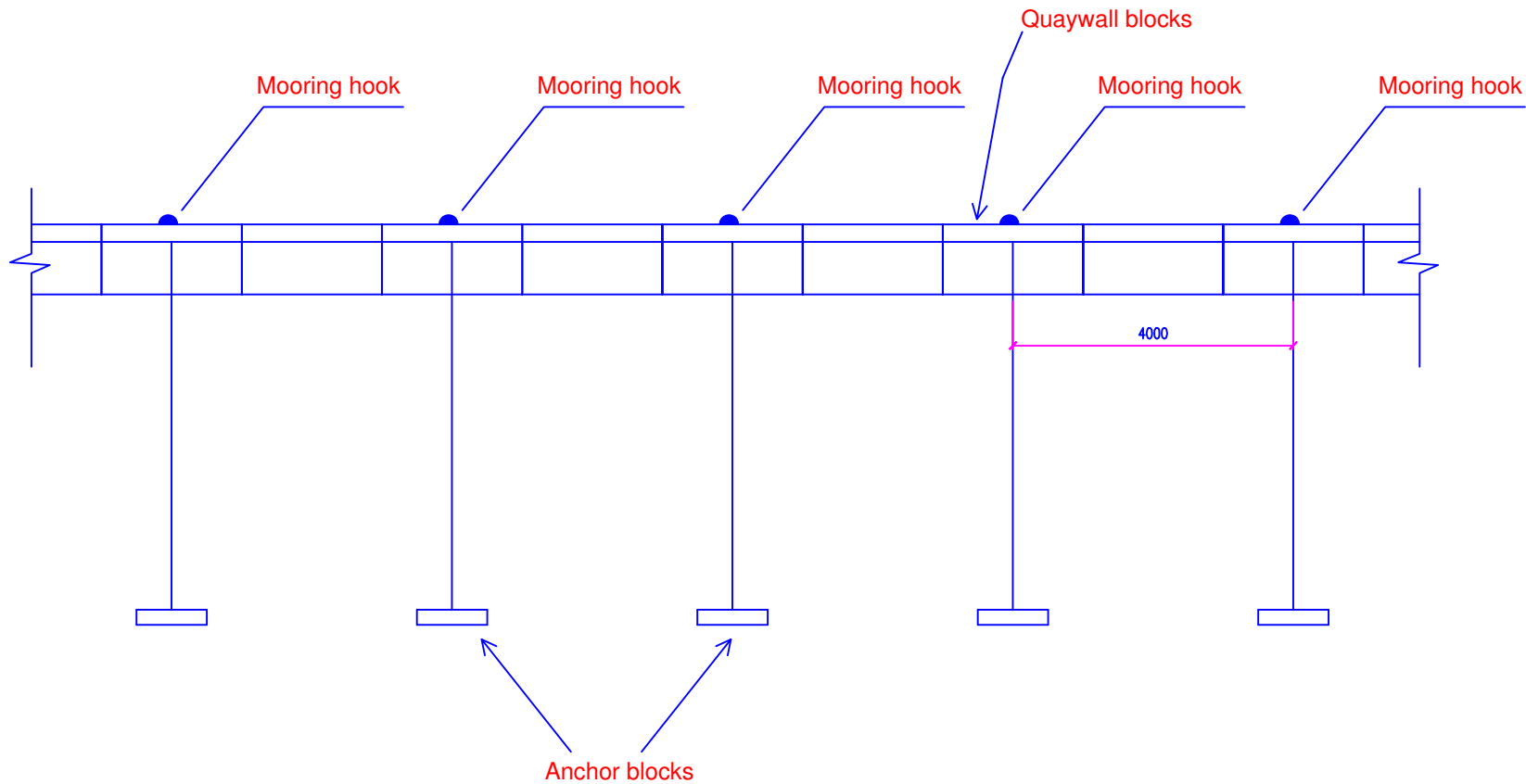
SCALE:

DATE:
27 APRIL 2017


INFRASTRUCTURE DEPARTMENT
MINISTRY OF HOUSING AND INFRASTRUCTURE
 AMEENEE MAGU MALE' 20392
 REPUBLIC OF MALDIVES
 TEL: 300 4300, FAX: 300 4301



| | | | | | |
|---|---|-----------------------------|-----------------------|--------------------------------|---|
| <p>PROJECT: CONSTRUCTION OF ADH. MAHIBADHOO HARBOUR</p> | <p>CONTENTS: Quay Wall Interlocking of Blocks</p> | <p>DRAWING NO.: 003</p> | <p>SCALE: NTS</p> | <p>DATE: 27 APRIL 2017</p> | <p>INFRASTRUCTURE DEPARTMENT MINISTRY OF HOUSING AND INFRASTRUCTURE AMEENEE MAGU, MALE' 20392 REPUBLIC OF MALDIVES TEL: 300 4300, FAX: 300 4301</p>  |
|---|---|-----------------------------|-----------------------|--------------------------------|---|




PROJECT:
**CONSTRUCTION OF
 ADH. MAHIBADHOO HARBOUR**

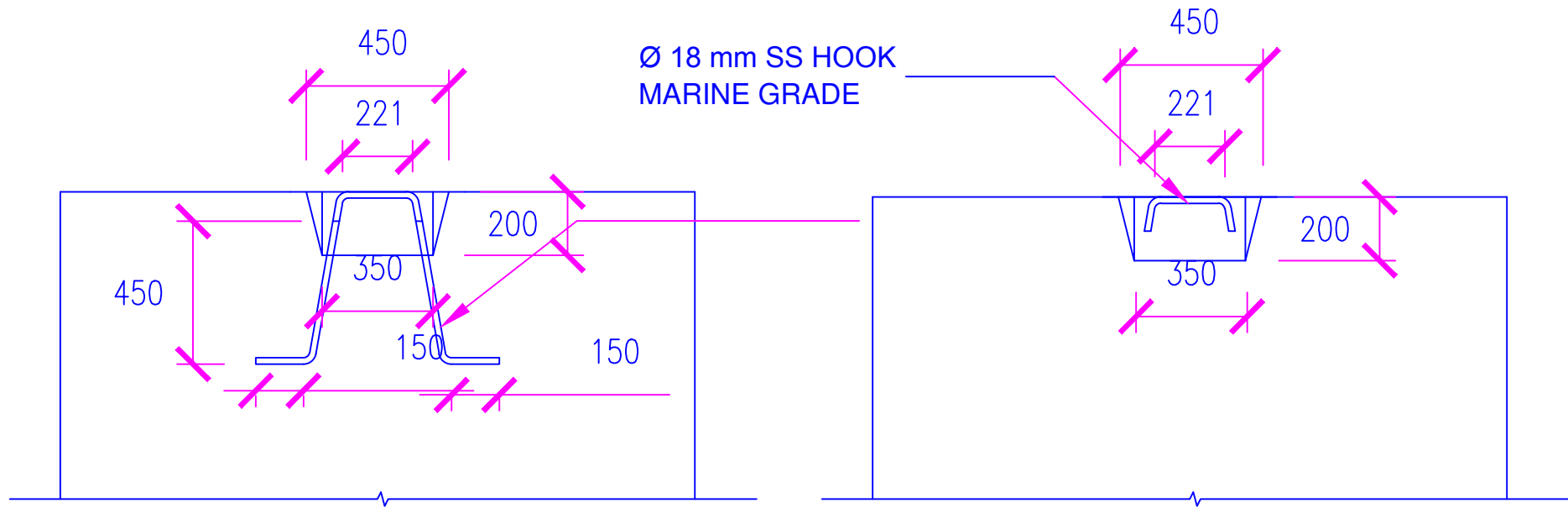
CONTENTS:
**Mooring Hook
 Installation Layout**

DRAWING NO.:
004

SCALE:
NTS

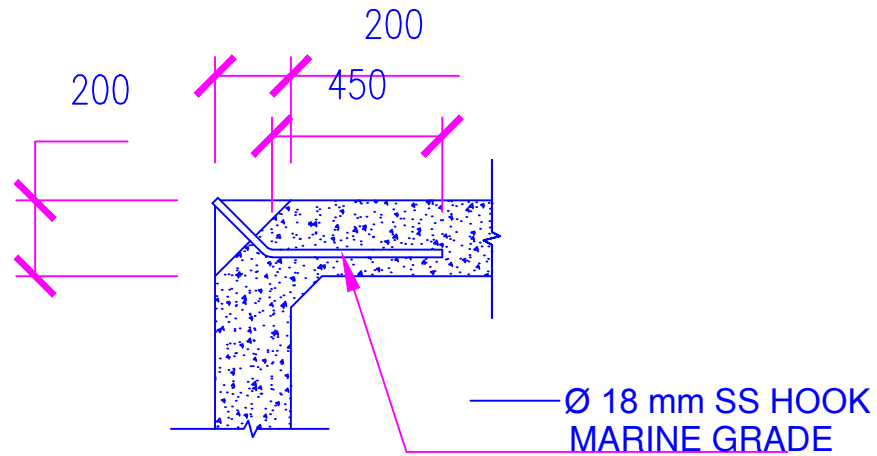
DATE:
27 APRIL 2017


**INFRASTRUCTURE DEPARTMENT
 MINISTRY OF HOUSING AND INFRASTRUCTURE**
 AMEENEE MAGU MALE' 20392
 REPUBLIC OF MALDIVES
 TEL: 300 4300, FAX: 300 4301




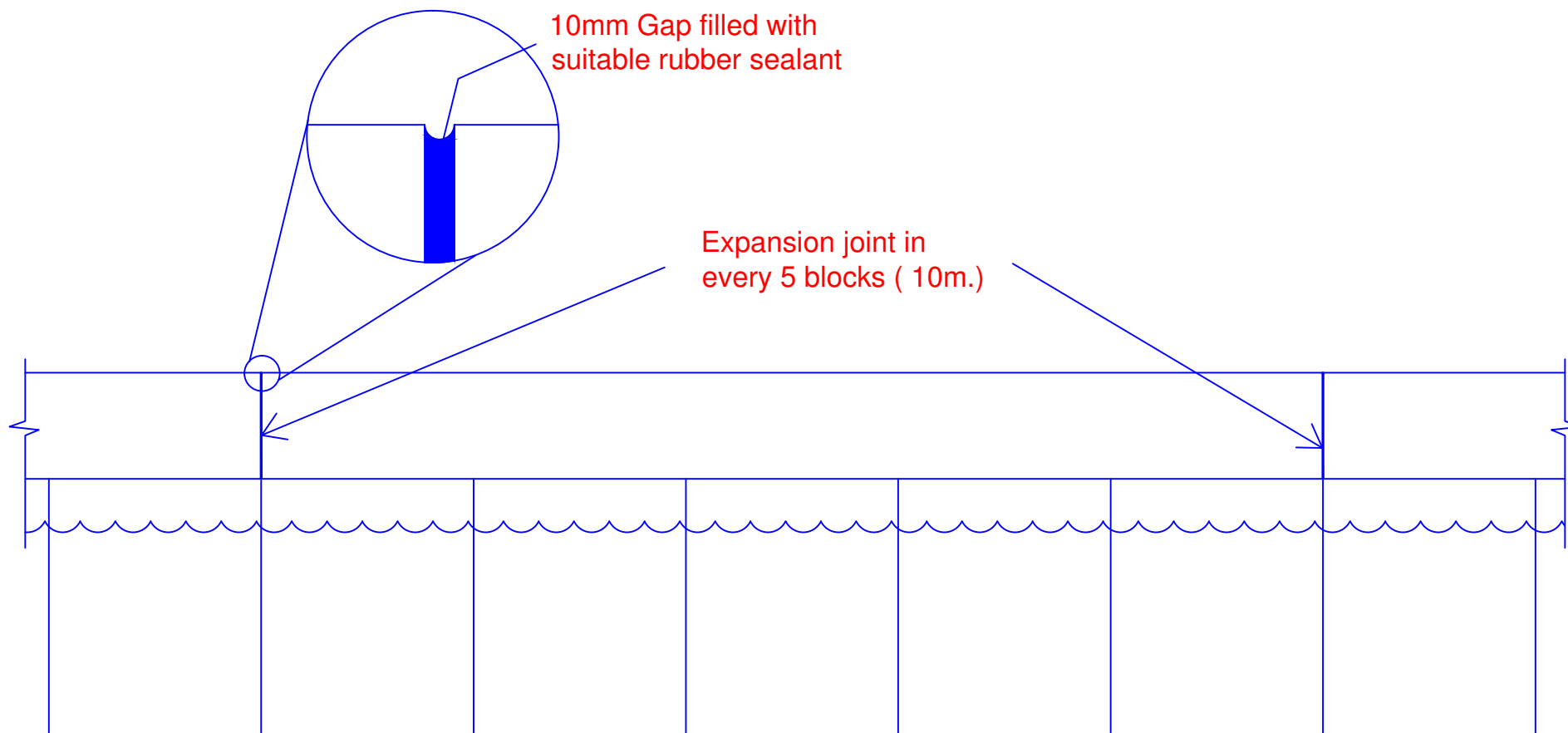
MOORING HOOK PLAN

MOORING HOOK ELEVATION



MOORING HOOK SECTION

| | | | | | |
|---|---|-----------------------------|-----------------------|--------------------------------|--|
| <p>PROJECT: CONSTRUCTION OF ADH. MAHIBADHOO HARBOUR</p> | <p>CONTENTS: Quaywall Mooring Hooks</p> | <p>DRAWING NO.: 005</p> | <p>SCALE: NTS</p> | <p>DATE: 27 APRIL 2017</p> | <p>INFRASTRUCTURE DEPARTMENT MINISTRY OF HOUSING AND INFRASTRUCTURE AMEENEE MAGU MALE' 20392 REPUBLIC OF MALDIVES TEL: 300 4300, FAX: 300 4301</p>  |
|---|---|-----------------------------|-----------------------|--------------------------------|--|



PROJECT:

CONSTRUCTION OF
ADH. MAHIBADHOO HARBOUR

CONTENTS:

Quay Wall Expansion
Gap Detail

DRAWING NO.:

006

SCALE:

NTS

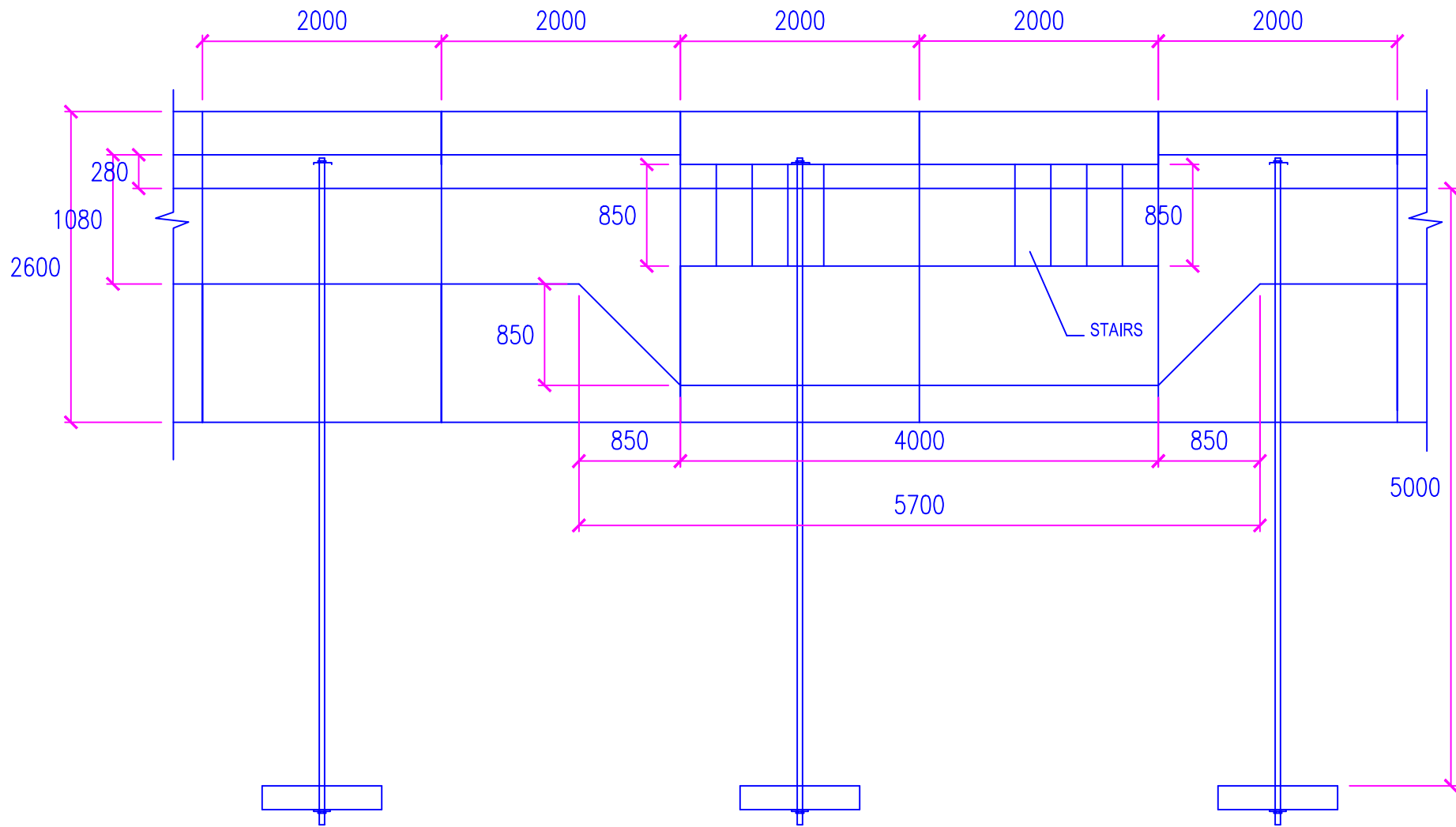
DATE:

27 APRIL 2017



INFRASTRUCTURE DEPARTMENT
MINISTRY OF HOUSING AND INFRASTRUCTURE

AMEENEE MAGU MALE' 20392
REPUBLIC OF MALDIVES
TEL: 300 4300, FAX: 300 4301



QUAYWALL & STAIRCASE PLAN

PROJECT:
CONSTRUCTION OF
ADH. MAHIBADHOO HARBOUR

CONTENTS:
Quaywall Staircase
Plan

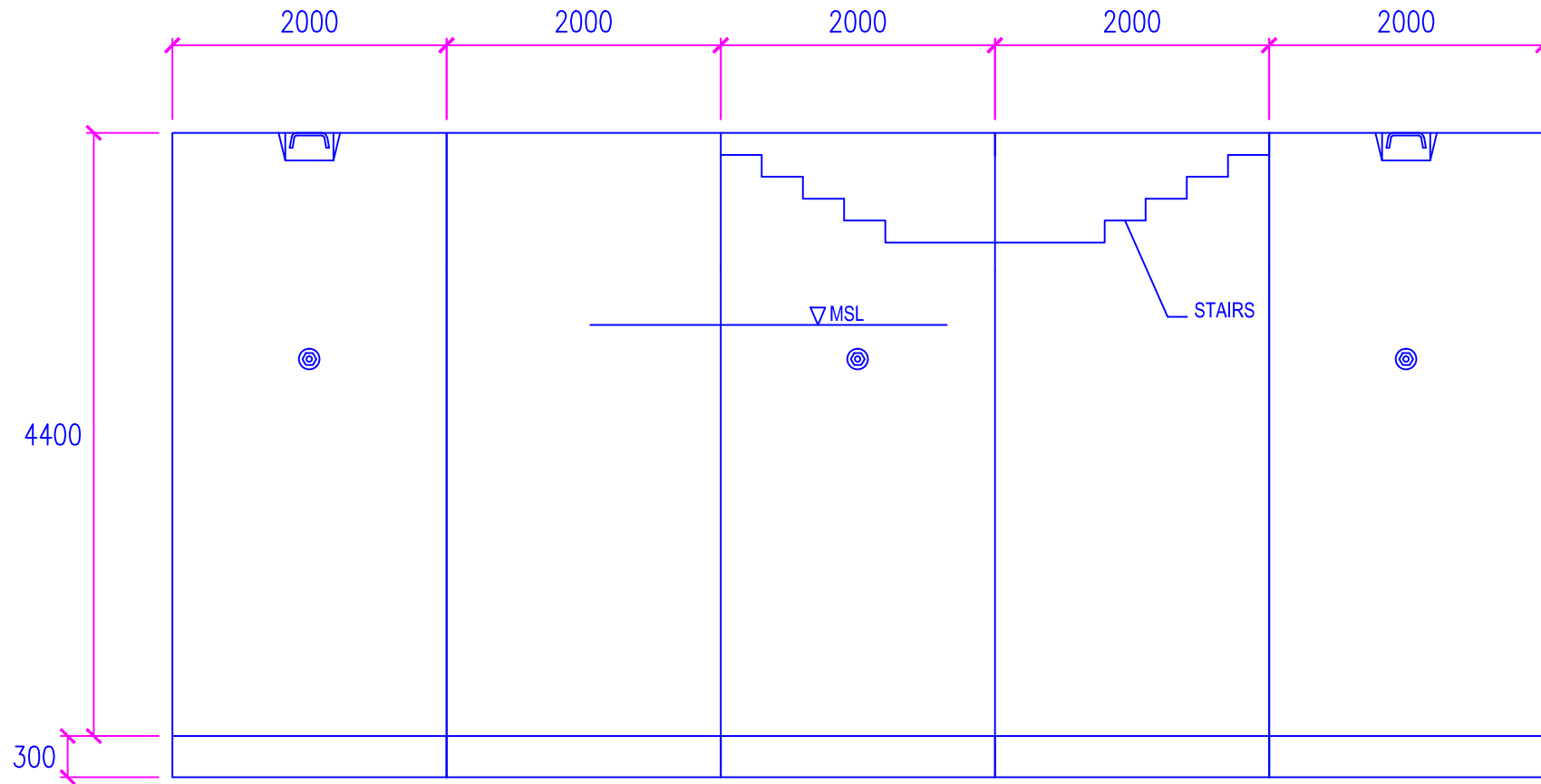
DRAWING NO.:
007

SCALE:
NTS

DATE:
27 APRIL 2017



INFRASTRUCTURE DEPARTMENT
MINISTRY OF HOUSING AND INFRASTRUCTURE
AMEENEE MAGU MALE' 20392
REPUBLIC OF MALDIVES
TEL: 300 4300, FAX: 300 4301



PROJECT:
CONSTRUCTION OF
ADH. MAHIBADHOO HARBOUR

CONTENTS:
Quay Wall Staircase
Front Elevation

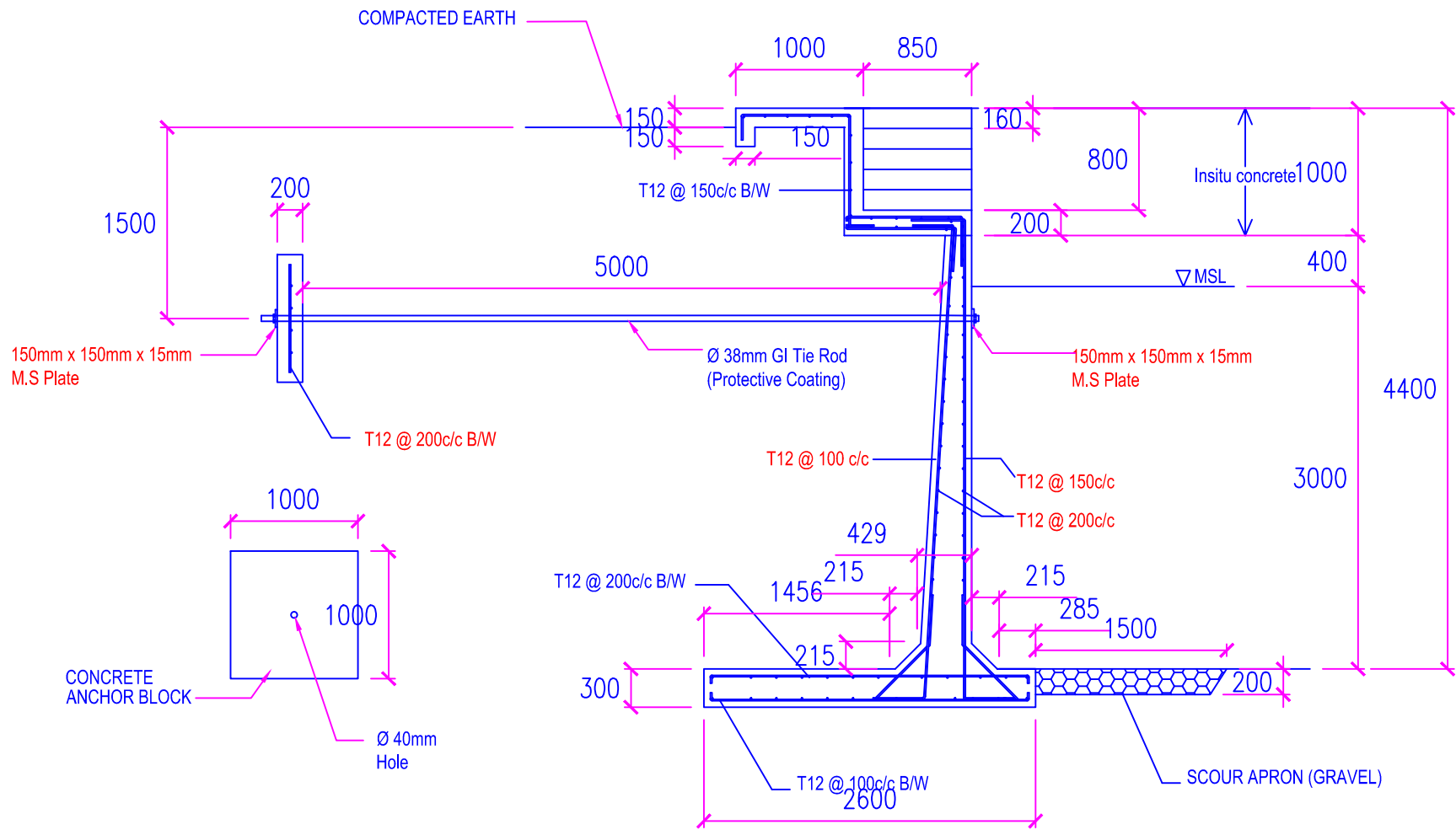
DRAWING NO.:
008

SCALE:
NTS

DATE:
27 APRIL 2017



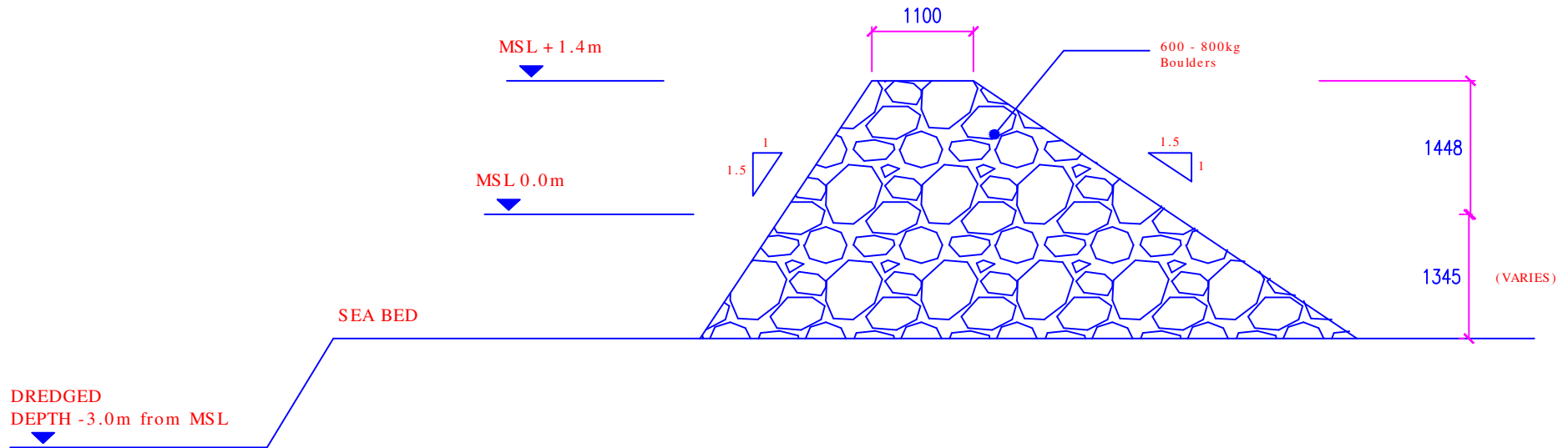
INFRASTRUCTURE DEPARTMENT
MINISTRY OF HOUSING AND INFRASTRUCTURE
AMEENEE MAGU MALE' 20392
REPUBLIC OF MALDIVES
TEL: 300 4300, FAX: 300 4301



STAIR DETAIL

SCALE 1 : 50

| | | | | | |
|--|--|------------------------------------|------------------------------|---------------------------------------|--|
| <p>PROJECT: CONSTRUCTION OF ADH. MAHIBADHOO HARBOUR</p> | <p>CONTENTS: Quay Wall Stair Detail</p> | <p>DRAWING NO.: 009</p> | <p>SCALE: NTS</p> | <p>DATE: 27 APRIL 2017</p> | <p>INFRASTRUCTURE DEPARTMENT MINISTRY OF HOUSING AND INFRASTRUCTURE AMEENEE MAGU MALE' 20392 REPUBLIC OF MALDIVES TEL: 300 4300, FAX: 300 4301</p> |
|--|--|------------------------------------|------------------------------|---------------------------------------|--|



PROJECT:
CONSTRUCTION OF
ADH. MAHIBADHOO HARBOUR

CONTENTS:
Breakwater
Sections

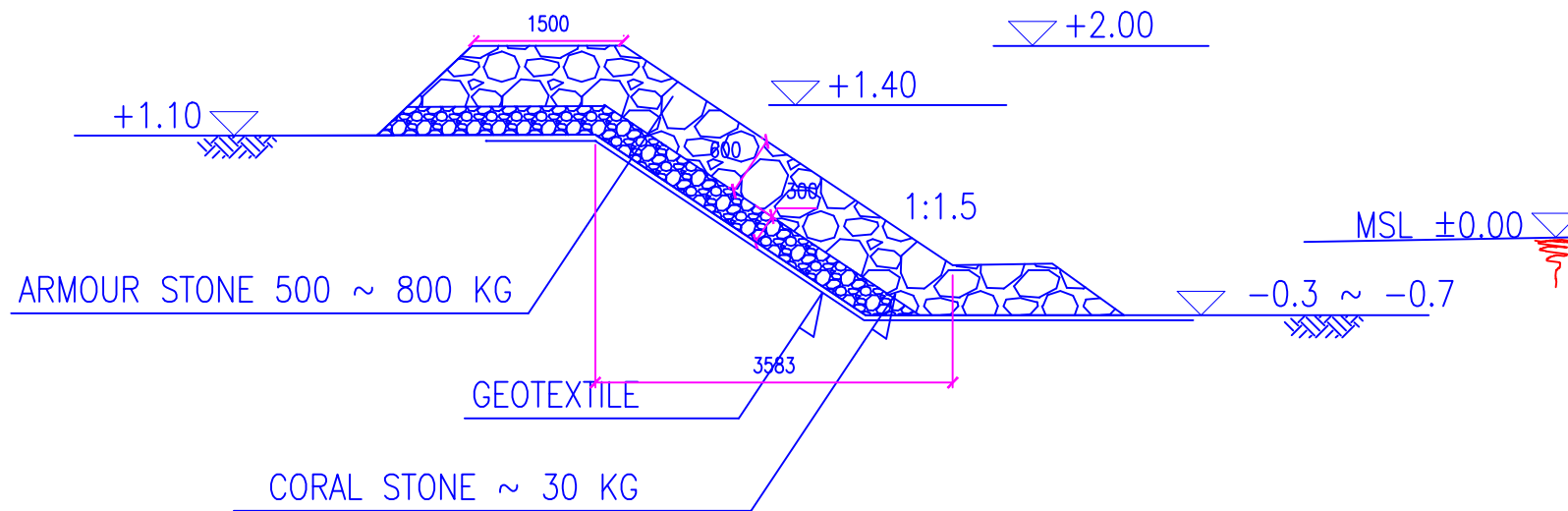
DRAWING NO.:
010

SCALE:
NTS

DATE:
27 APRIL 2017



INFRASTRUCTURE DEPARTMENT
MINISTRY OF HOUSING AND INFRASTRUCTURE
AMEENEE MAGU MALE' 20392
REPUBLIC OF MALDIVES
TEL: 300 4300, FAX: 300 4301



PROJECT:
CONSTRUCTION OF
ADH. MAHIBADHOO HARBOUR

CONTENTS:
Revetment
Sections

DRAWING NO.:
011

SCALE:
NTS

DATE:
27 APRIL 2017



INFRASTRUCTURE DEPARTMENT
MINISTRY OF HOUSING AND INFRASTRUCTURE
AMEENEE MAGU MALE' 20392
REPUBLIC OF MALDIVES
TEL: 300 4300, FAX: 300 4301