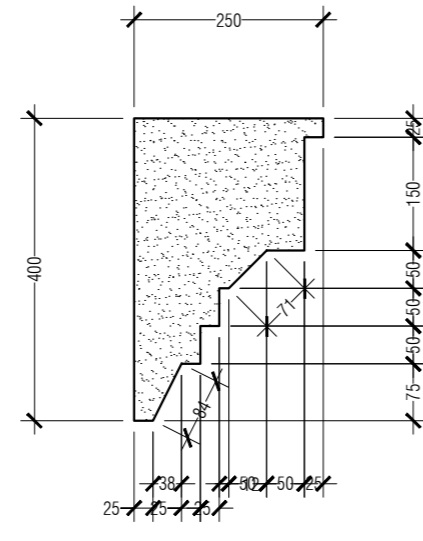
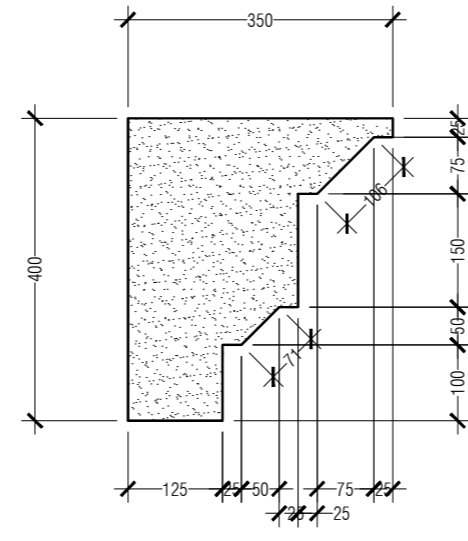


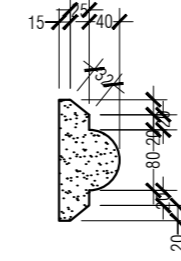
A



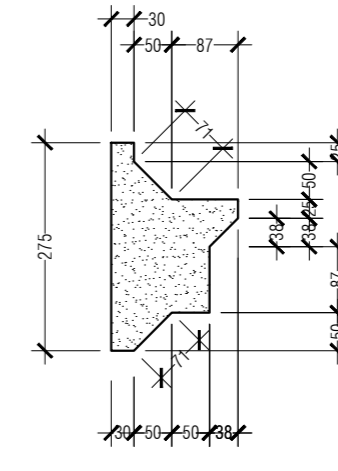
B



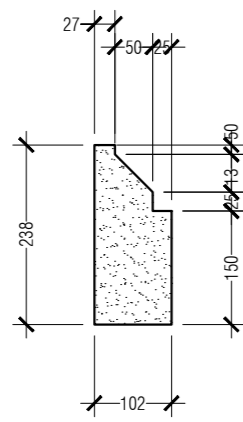
C



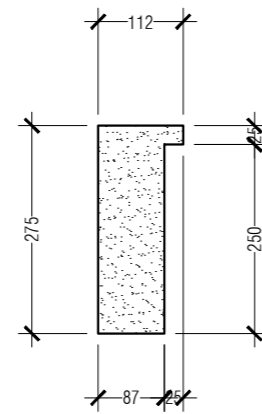
D



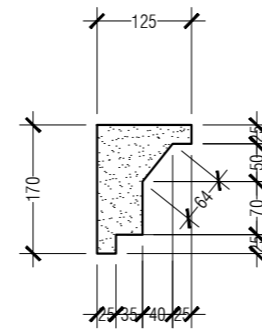
E



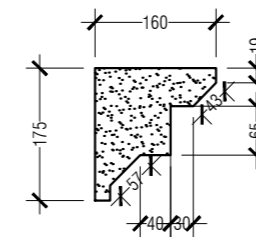
F



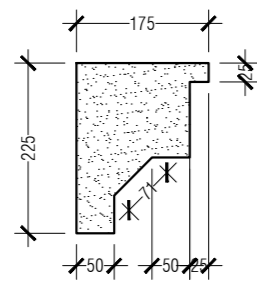
G



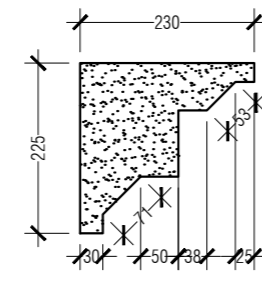
H



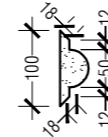
I



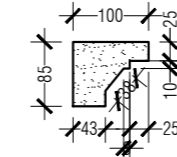
J



K



L



M

MOULD DETAIL
SCALE 1:10

9 STOREY ACCOMMODATION BUILDING
BANDAARAKOSHI / MALE

SHEET CONTENT:

RECOM. APPROVAL:

CPT. AHMED SHARIM
OFFICER COMMANDING

DESIGN APPROVAL:

BRIG.GEN.AHMED SHAHID
VICE CHIEF OF DEFENCE FORCE

APPROVED:

MAJ.GEN. AHMED SHIYAM
CHIEF OF DEFENCE FORCE

APPROVED DATE:

DESIGNED:

PTE MOHAMED SAIF L.CPL ALI MUTHASIM Architectural	WO1 AHMED SHAZEEL Structural
---	--

CHECKED:

CPT MOHAMED SHIFAAU Architectural	WO3 AIMINATH ALI Structural
_____	_____
Electrical & Mechanical	Communication

DRAWN:
L.CPL ALI MUTHASIM
PTE MOHAMED SAIF
07/08/2016

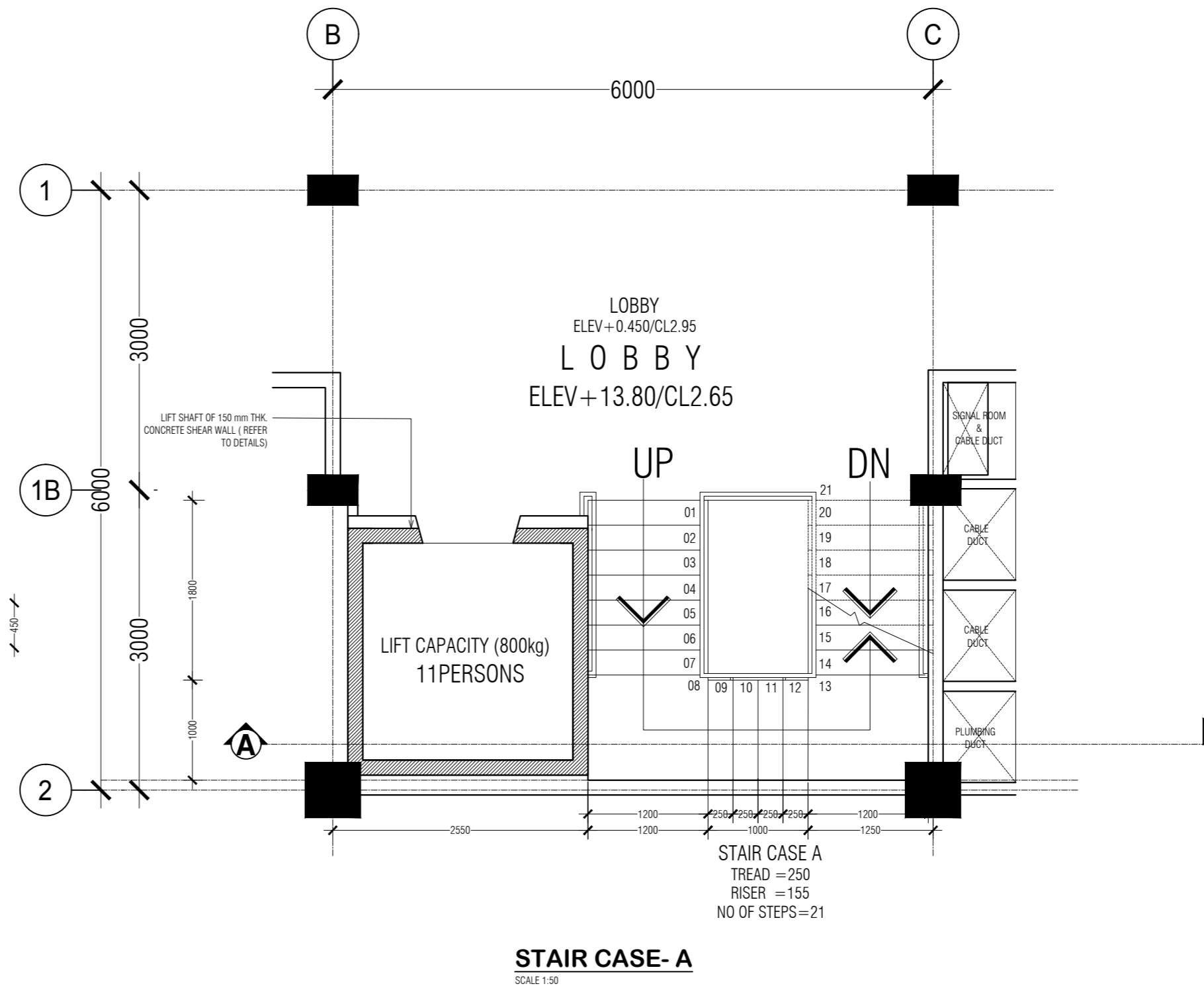
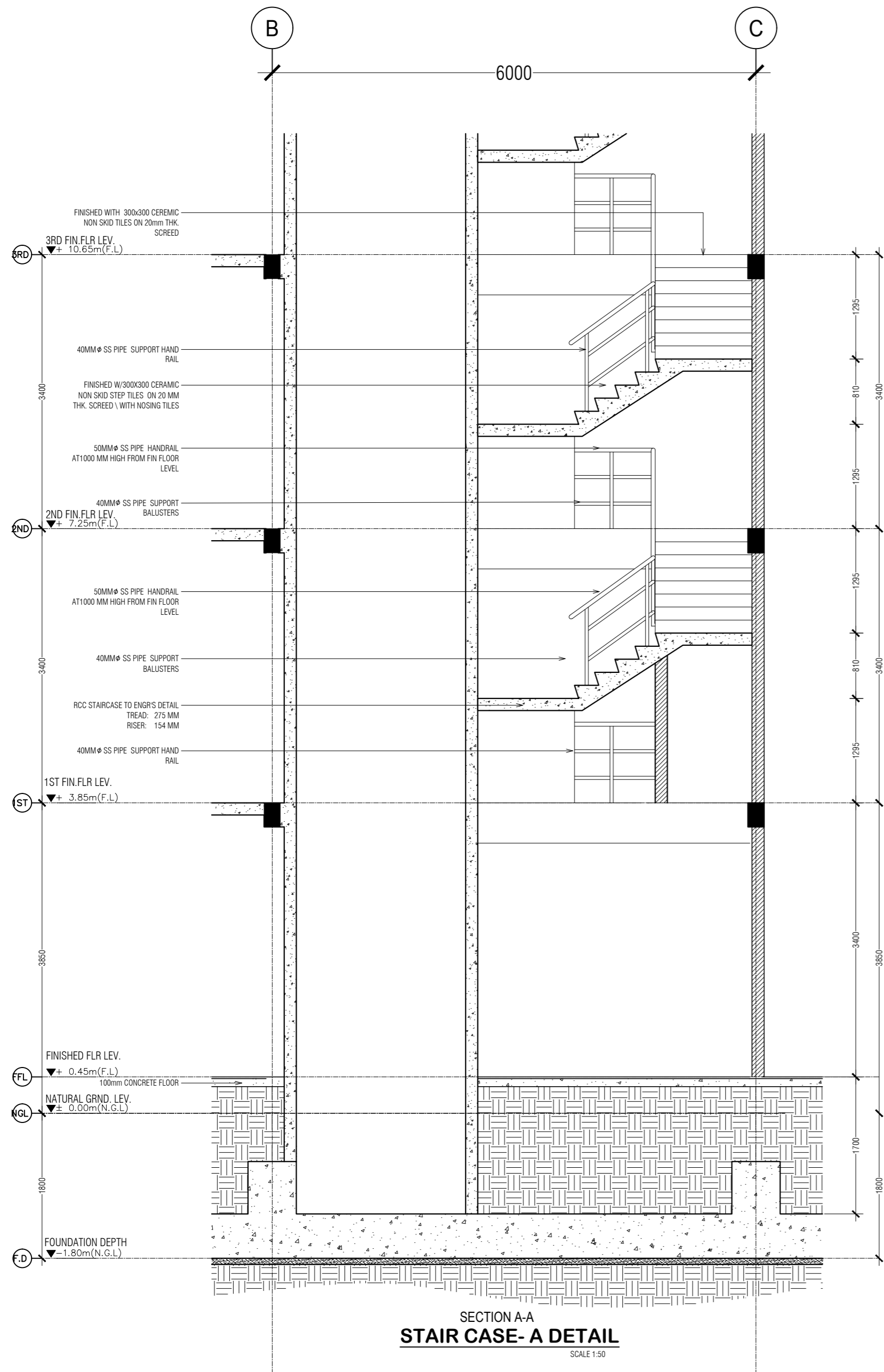
REVISION:
PTE YAMIN SAEED
PTE HUSSAIN QASIM
25/01/2017

SCALE:
1:50

SHEET NO:



The drawings, concept and design contained are the properties of Military Engineers MNDF. Use of any kind or copy of whole or part of this drawing, concept or design or use on other projects or sites other than that specified on this drawing is strictly prohibited.



9 STOREY ACCOMMODATION BUILDING

BANDAARAKOSHI / MALE

SHEET CONTENT:

RECOM. APPROVAL:

CPT. AHMED SHARIM
OFFICER COMMANDING

DESIGN APPROVAL:

BRIG.GEN.AHMED SHAHID
VICE CHIEF OF DEFENCE FORCE

APPROVED:

MAJ.GEN. AHMED SHIYAM
CHIEF OF DEFENCE FORCE

APPROVED DATE:

DESIGNED:

PTE MOHAMED SAIF
L.CPL ALI MUTHASIM
Architectural

WO1 AHMED SHAZEEL
Structural

CHECKED:

CPT MOHAMED SHIFAAU
Architectural

WO3 AIMINATH ALI
Structural

Electrical & Mechanical

Communication

DRAWN:

L.CPL ALI MUTHASIM
PTE MOHAMED SAIF

REVISION:

PTE YAMIN SAIED
PTE HUSSAIN QASIM

07/08/2016

25/01/2017

SCALE:

1:50

SHEET NO:



MILITARY ENGINEERS
MALDIVES NATIONAL DEFENCE FORCE
Male, Republic of Maldives

The drawings, concept and design contained are the properties of Military Engineers MNDF. Use of any kind or copy of whole or part of this drawing, concept or design or use on other projects or sites other than that specified on this drawing is strictly prohibited.

9 STOREY ACCOMMODATION BUILDING
BANDAARAKOSHI / MALE'

SHEET CONTENT:

RECOM. APPROVAL:

CPT. AHMED SHARIM
OFFICER COMMANDING

DESIGN APPROVAL:

BRIG.GEN.AHMED SHAHID
VICE CHIEF OF DEFENCE FORCE

APPROVED:

MAJ.GEN. AHMED SHIYAM
CHIEF OF DEFENCE FORCE

APPROVED DATE:

DESIGNED:
PTE MOHAMED SAIF / **WO1 AHMED SHAZEEL**
L.CPL ALI MUTHASIM / **WO1 AHMED SHAZEEL**
Architectural / Structural

CHECKED:
CPT MOHAMED SHIFAAU / **WO3 AIMINATH ALI**
Architectural / Structural

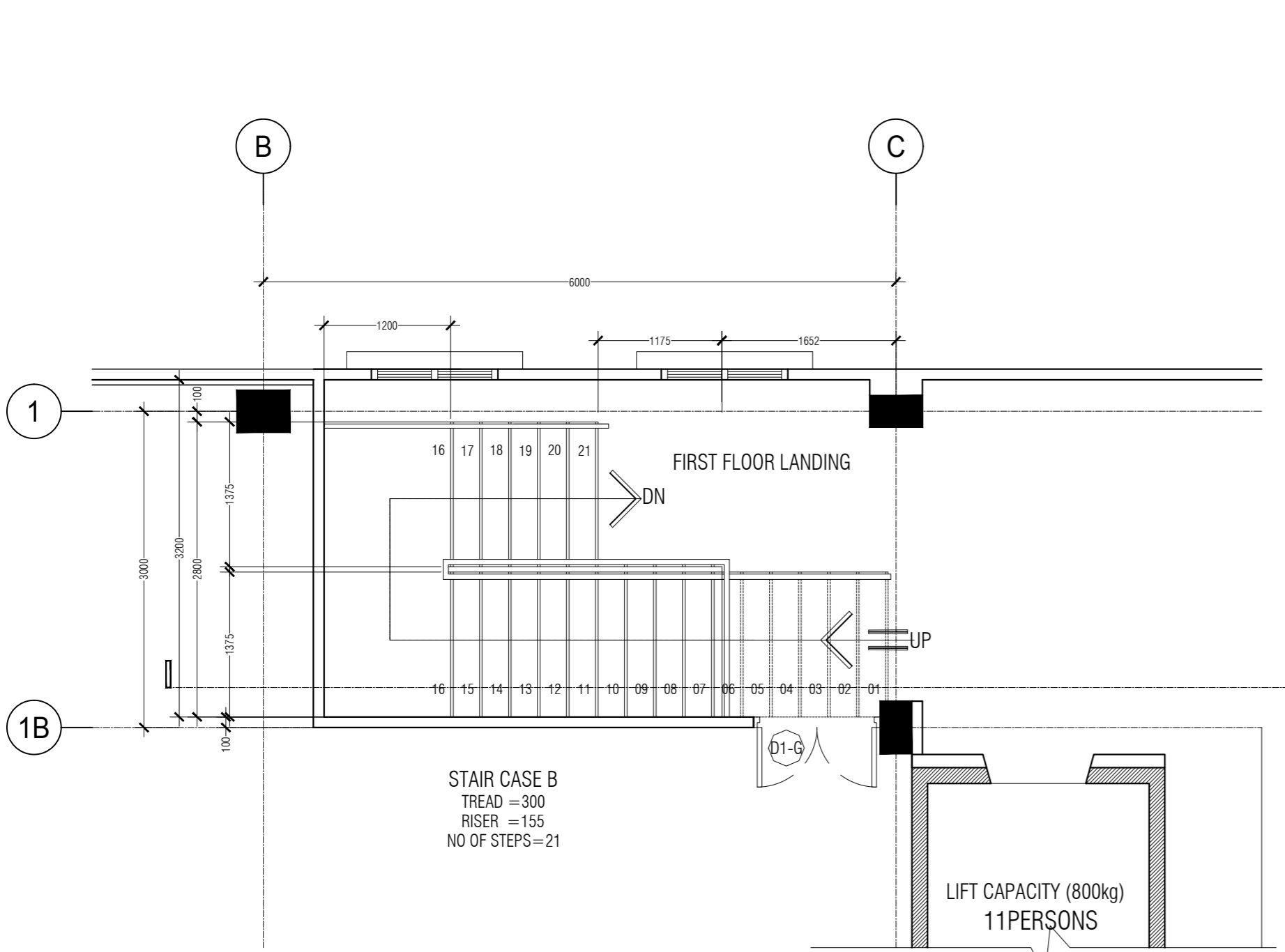
Electrical & Mechanical / Communication

DRAWN: L.CPL ALI MUTHASIM PTE MOHAMED SAIF 07/08/2016	REVISION: PTE YAMIN SAEED PTE HUSSAIN QASIM 25/01/2017
--	---

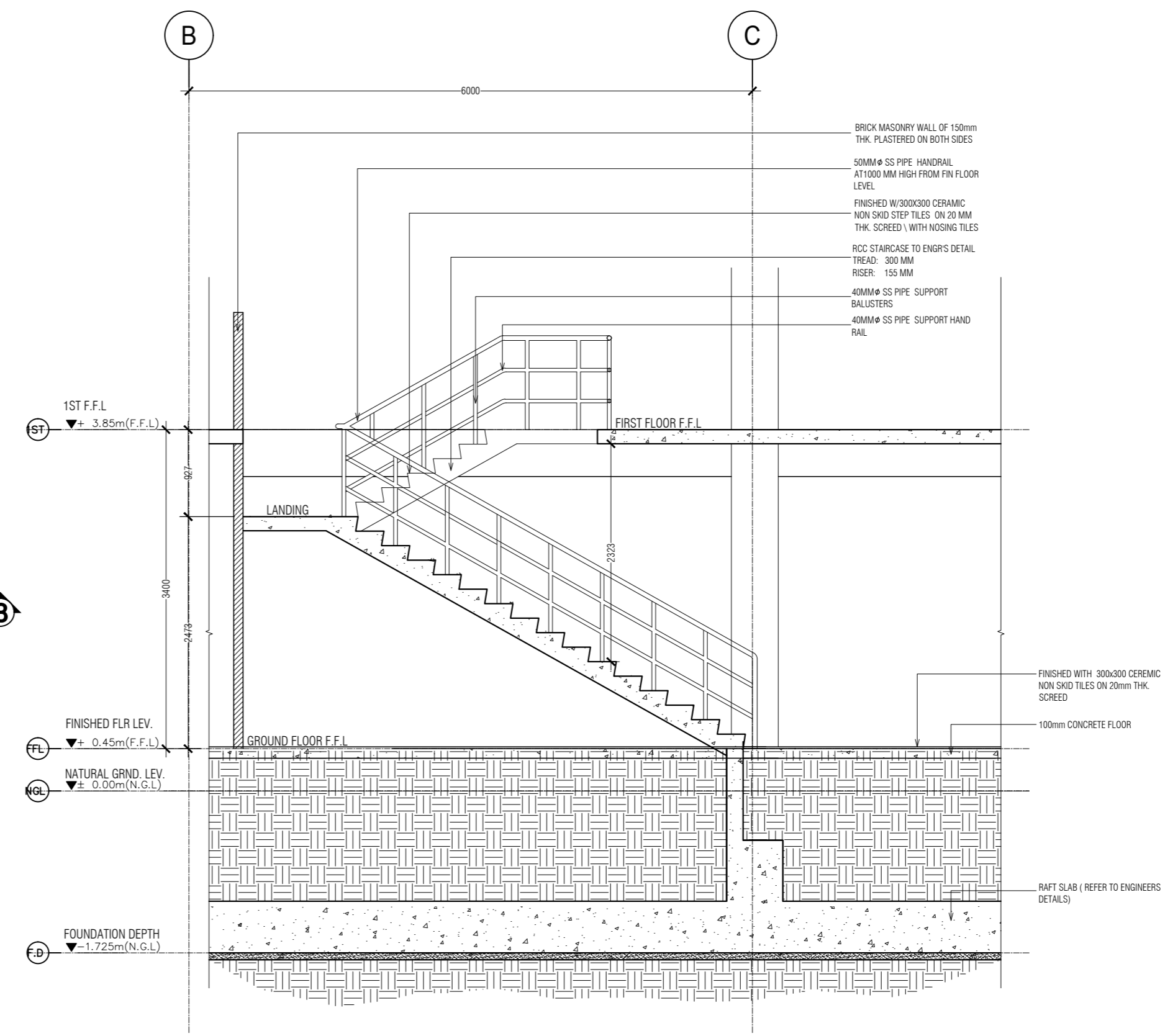
SCALE: **1:50** SHEET NO: _____



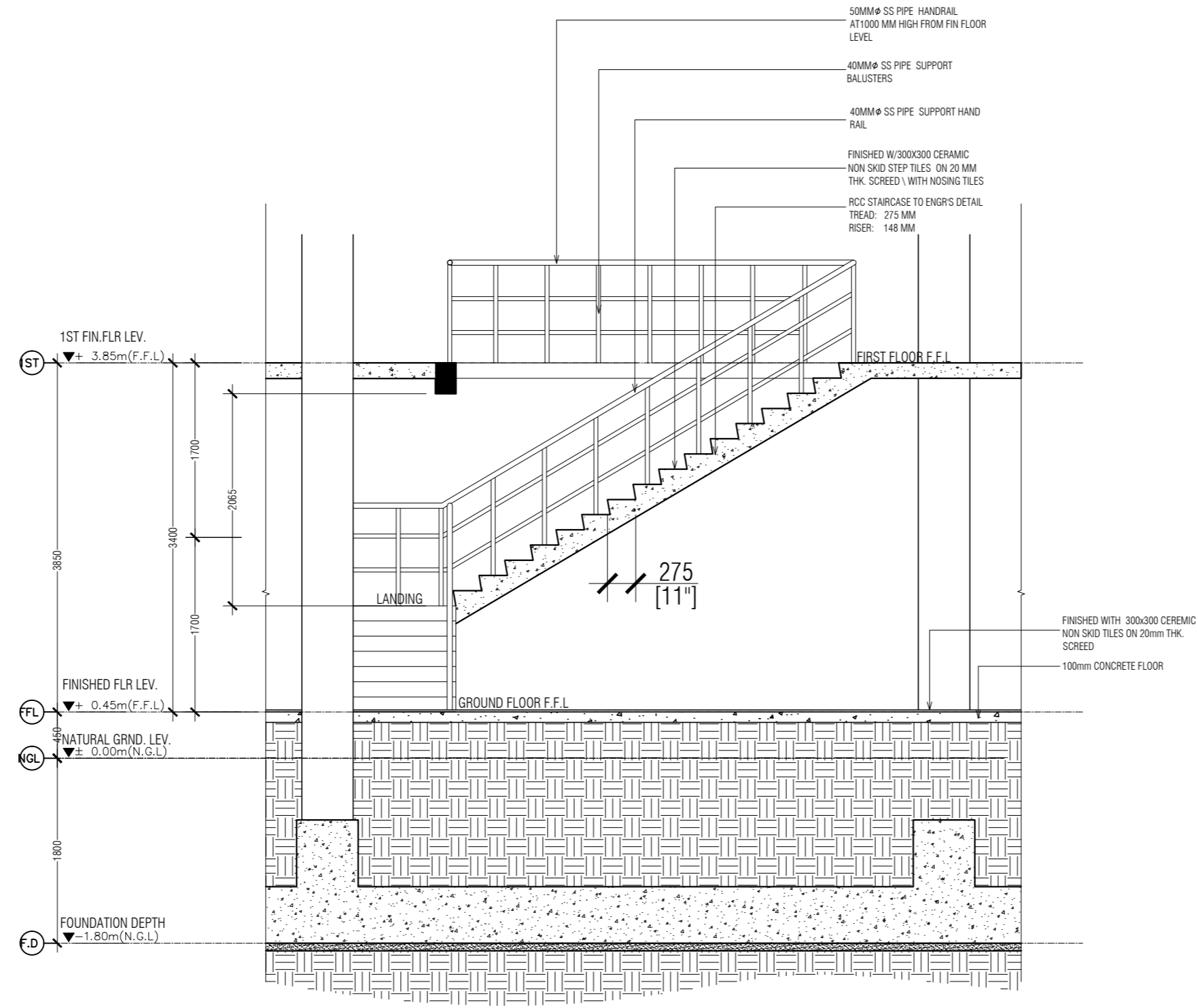
The drawings, concept and design contained are the properties of Military Engineers MNDF. Use of any kind or copy of whole or part of this drawing, concept or design or use on other projects or sites other than that specified on this drawing is strictly prohibited.



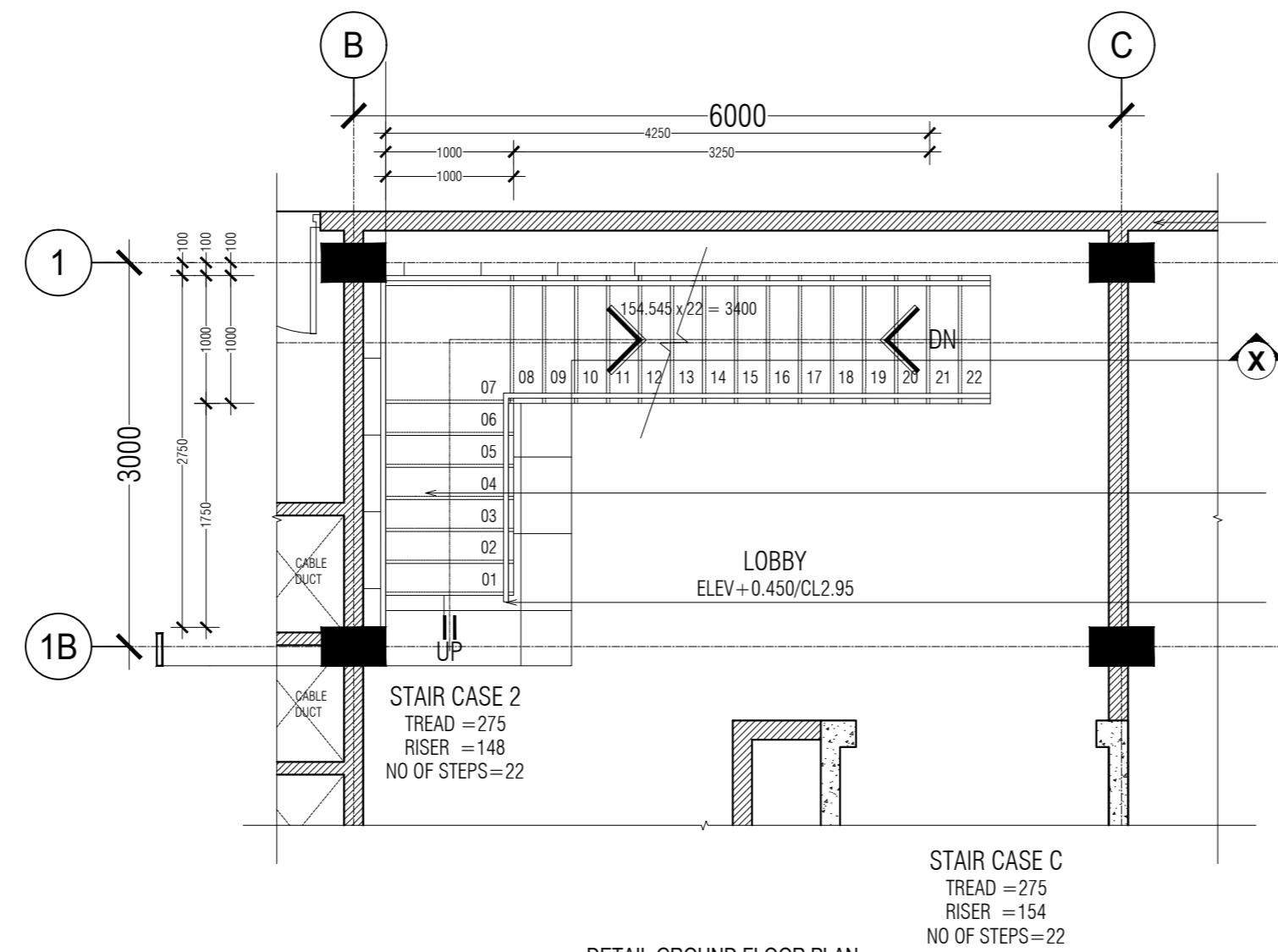
STAIR-B PLAN
STAIR CASE-B DETAIL
SCALE 1:50



SECTION B-B
STAIR CASE-B DETAIL
SCALE 1:50



SECTION C-C
STAIR CASE-C DETAIL
SCALE 1:50



DETAIL GROUND FLOOR PLAN
STAIR CASE-C DETAIL
SCALE 1:50

9 STOREY ACCOMMODATION BUILDING

BANDAARAKOSHI / MALE'

SHEET CONTENT:

RECOM. APPROVAL:

CPT. AHMED SHARIM
OFFICER COMMANDING

DESIGN APPROVAL:

BRIG.GEN.AHMED SHAHID
VICE CHIEF OF DEFENCE FORCE

APPROVED:

MAJ.GEN. AHMED SHIYAM
CHIEF OF DEFENCE FORCE

APPROVED DATE:

DESIGNED:

PTE MOHAMED SAIF
L.CPL ALI MUTHASIM
Architectural

WO1 AHMED SHAZEEL
Structural

CHECKED:

CPT MOHAMED SHIFAAU
Architectural

WO3 AIMINATH ALI
Structural

Electrical & Mechanical Communication

DRAWN:

L.CPL ALI MUTHASIM
PTE MOHAMED SAIF

07/08/2016

REVISION:

PTE YAMIN SAEED
PTE HUSSAIN QASIM

25/01/2017

SCALE:

1:50

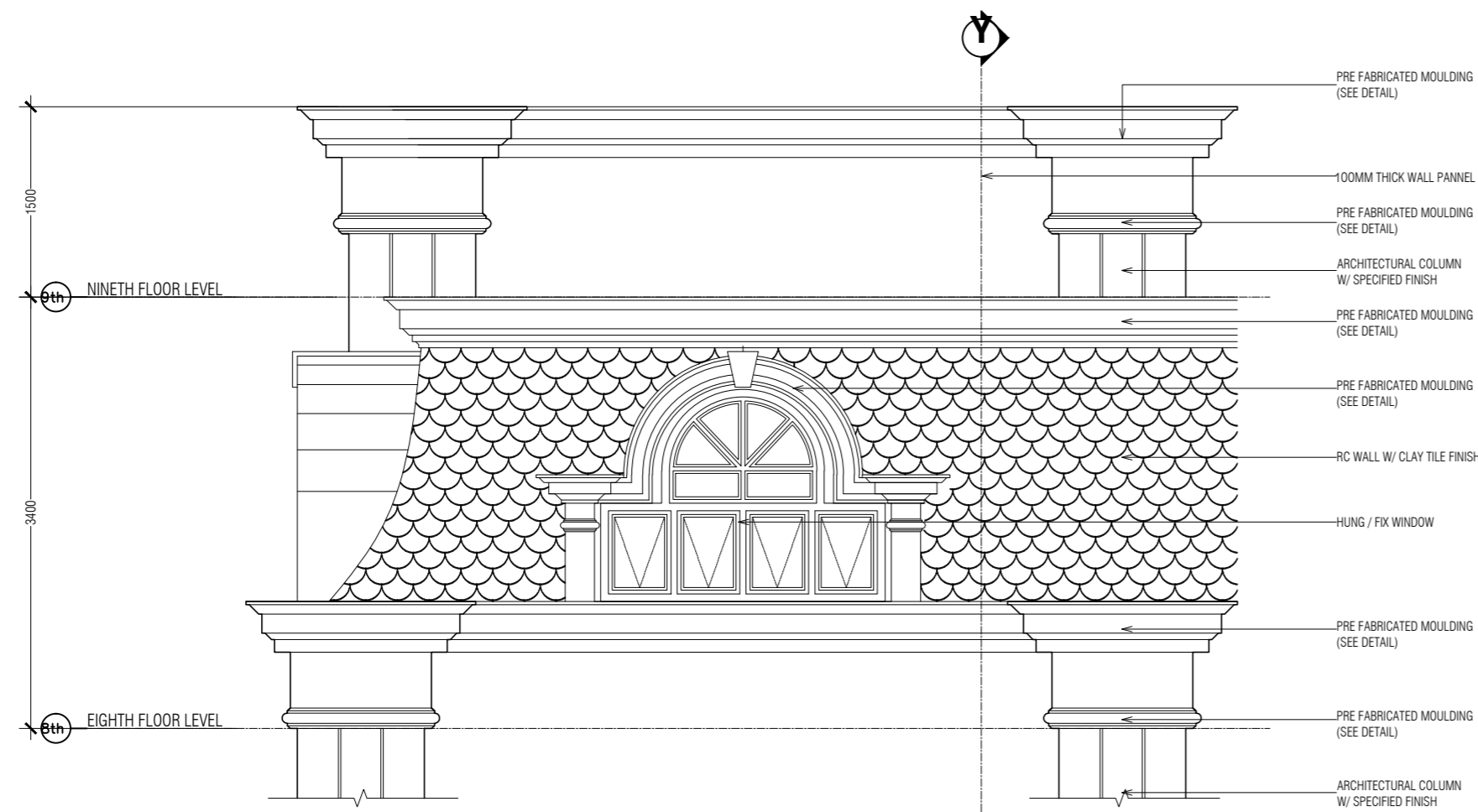
SHEET NO:



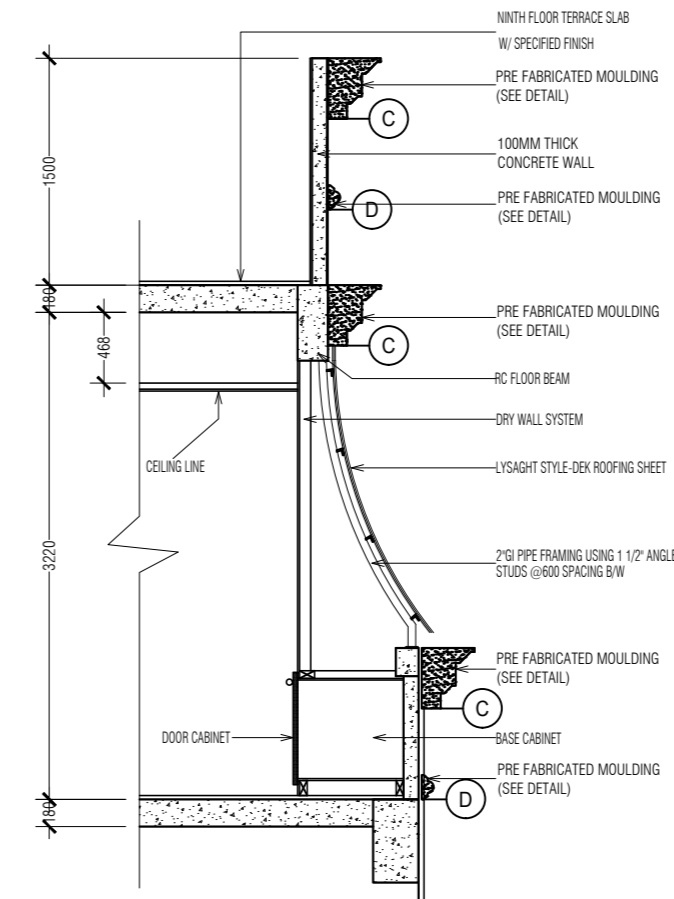
MILITARY ENGINEERS
MALDIVES NATIONAL DEFENCE FORCE
Male', Republic of Maldives

The drawings, concept and design contained are the properties of Military Engineers MNDF. Use of any kind or copy of whole or part of this drawing, concept or design or use on other projects or sites other than that specified on this drawing is strictly prohibited.

SHEET CONTENT:

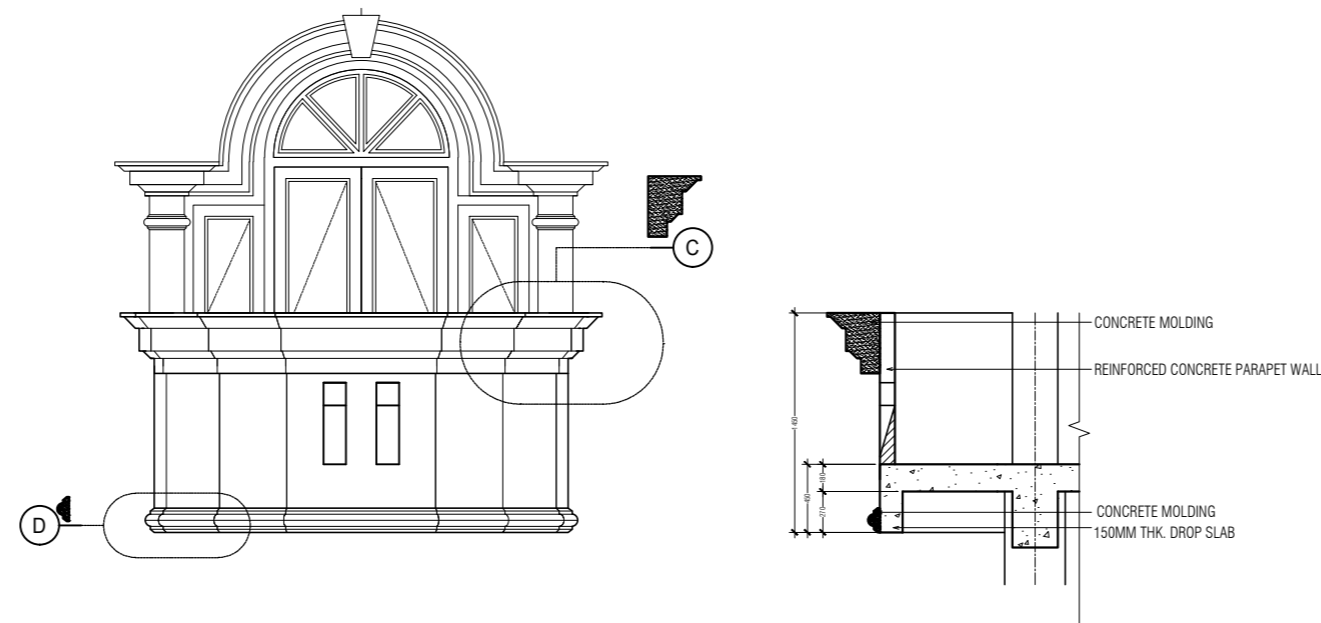


ELEVATION
SCALE 1:50



SECTION Y-Y
SCALE 1:50

PARTIAL SECTION DETAIL
SCALE 1:50



8TH FLOOR BALCONY DETAIL
SCALE 1:50

RECOM. APPROVAL:

CPT. AHMED SHARIM
OFFICER COMMANDING

DESIGN APPROVAL:

BRIG.GEN.AHMED SHAHID
VICE CHIEF OF DEFENCE FORCE

APPROVED:

MAJ.GEN. AHMED SHIYAM
CHIEF OF DEFENCE FORCE

APPROVED DATE:

DESIGNED:

PTE MOHAMED SAIF
L.CPL ALI MUTHASIM
Architectural

WO1 AHMED SHAZEEL
Structural

CHECKED:

CPT MOHAMED SHIFAAU
Architectural

WO3 AIMINATH ALI
Structural

Electrical & Mechanical

Communication

DRAWN:

L.CPL ALI MUTHASIM
PTE MOHAMED SAIF

07/08/2016

REVISION:

PTE YAMIN SAEED
PTE HUSSAIN QASIM

25/01/2017

SCALE:

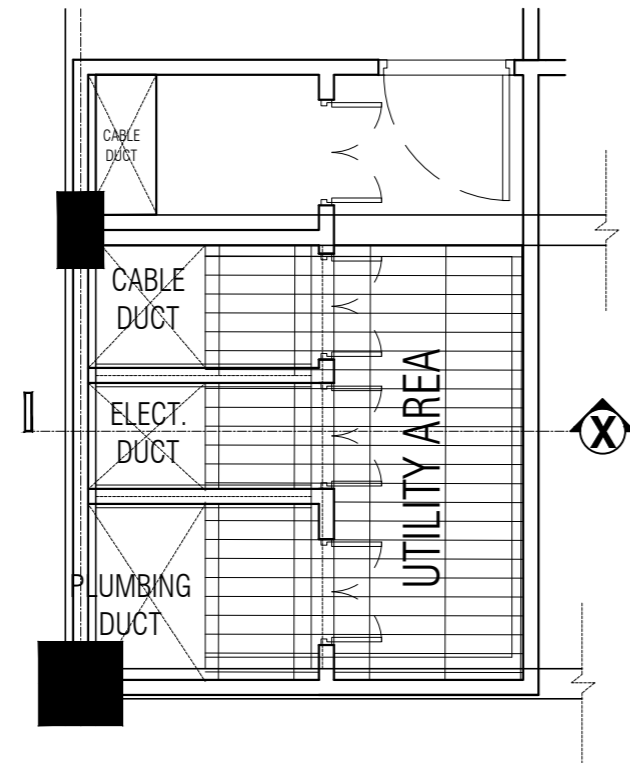
1:50

SHEET NO:

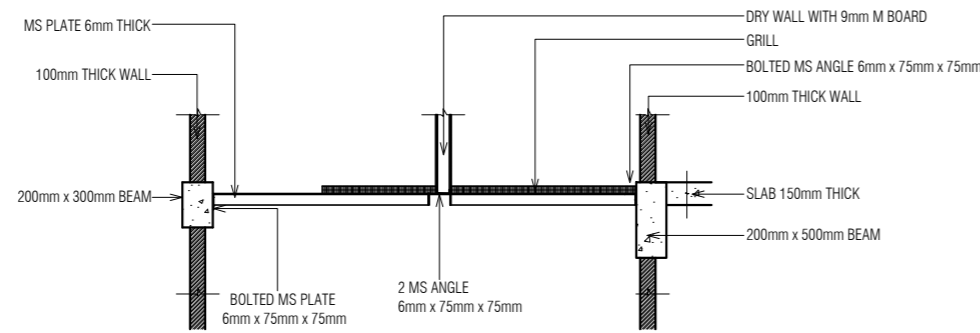


MILITARY ENGINEERS
MALDIVES NATIONAL DEFENCE FORCE
Male', Republic of Maldives

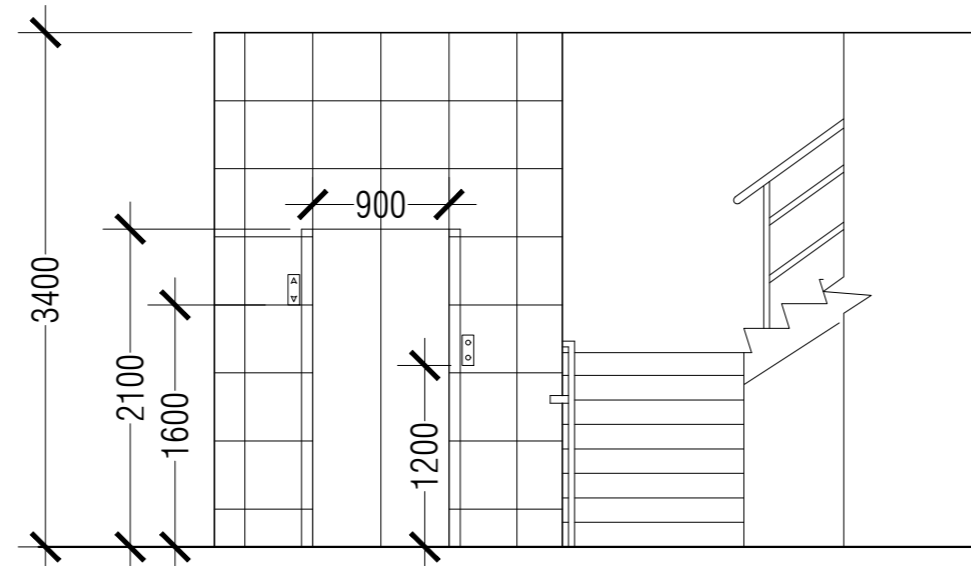
The drawings, concept and design contained are the properties of Military Engineers MNDF. Use of any kind or copy of whole or part of this drawing, concept or design or use on other projects or sites other than that specified on this drawing is strictly prohibited.



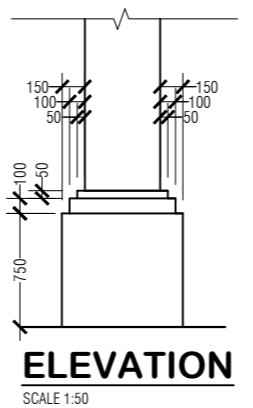
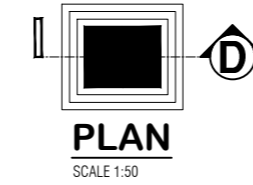
**DETAIL PLAN
DUCT DETAIL**
SCALE 1:50



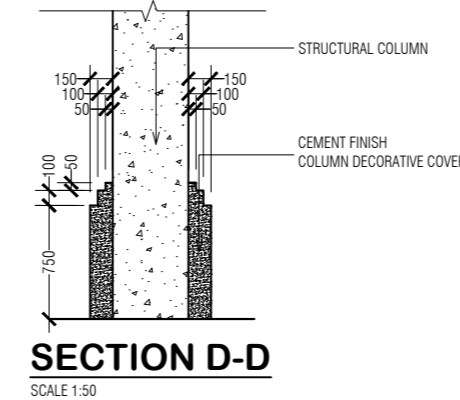
**SECTION X-X
DUCT DETAIL**
SCALE 1:50



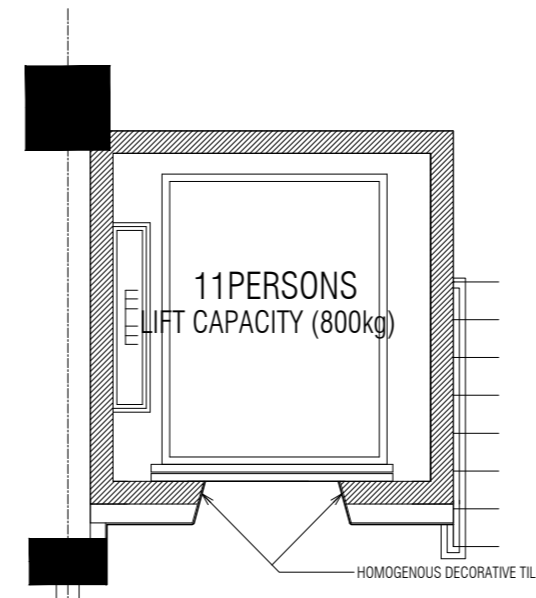
LIFT AREA ELEVATION
SCALE 1:50



ELEVATION
SCALE 1:50



SECTION D-D
SCALE 1:50



LIFT AREA PLAN
SCALE 1:50

9 STOREY ACCOMMODATION BUILDING

BANDAARAKOSHI / MALE'

SHEET CONTENT:

RECOM. APPROVAL:

CPT. AHMED SHARIM
OFFICER COMMANDING

DESIGN APPROVAL:

BRIG.GEN.AHMED SHAHID
VICE CHIEF OF DEFENCE FORCE

APPROVED:

MAJ.GEN. AHMED SHIYAM
CHIEF OF DEFENCE FORCE

APPROVED DATE:

DESIGNED:

PTE MOHAMED SAIF
L.CPL ALI MUTHASIM
Architectural

WO1 AHMED SHAZEEL
Structural

CHECKED:

CPT MOHAMED SHIFAAU
Architectural

WO3 AIMINATH ALI
Structural

Electrical & Mechanical

Communication

DRAWN:

L.CPL ALI MUTHASIM
PTE MOHAMED SAIF

07/08/2016

REVISION:

PTE YAMIN SAED
PTE HUSSAIN QASIM

25/01/2017

SCALE:

1:50

SHEET NO:



MILITARY ENGINEERS
MALDIVES NATIONAL DEFENCE FORCE
Male', Republic of Maldives

The drawings, concept and design contained are the properties of Military Engineers MNDF. Use of any kind or copy of whole or part of this drawing, concept or design or use on other projects or sites other than that specified on this drawing is strictly prohibited.

SHEET CONTENT:

RECOM. APPROVAL:

CPT. AHMED SHARIM
OFFICER COMMANDING

DESIGN APPROVAL:

BRIG.GEN.AHMED SHAHID
VICE CHIEF OF DEFENCE FORCE

APPROVED:

MAJ.GEN. AHMED SHIYAM
CHIEF OF DEFENCE FORCE

APPROVED DATE:

DESIGNED:

PTE MOHAMED SAIF
L.CPL ALI MUTHASIM
Architectural

WO1 AHMED SHAZEEL
Structural

CHECKED:

CPT MOHAMED SHIFAAU
Architectural

WO3 AIMINATH ALI
Structural

Electrical & Mechanical

Communication

DRAWN:

L.CPL ALI MUTHASIM
PTE MOHAMED SAIF

REVISION:

PTE YAMIN SAEED
PTE HUSSAIN QASIM

07/08/2016

25/01/2017

SCALE:

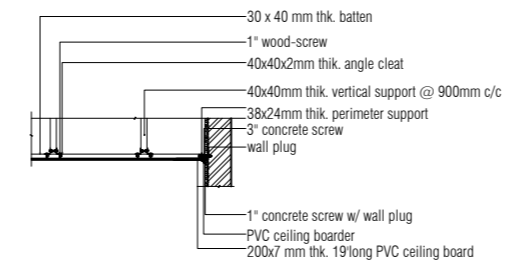
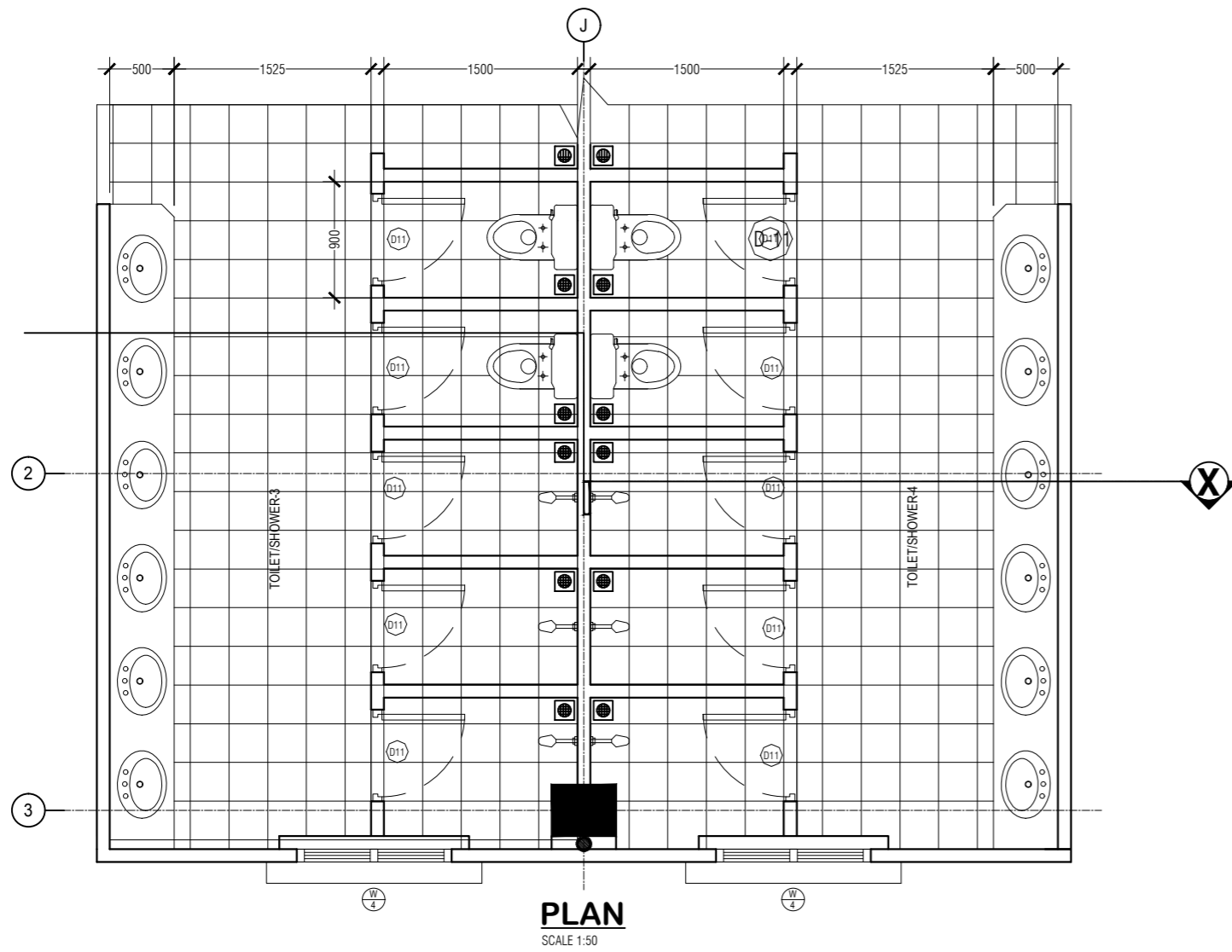
1:50

SHEET NO:

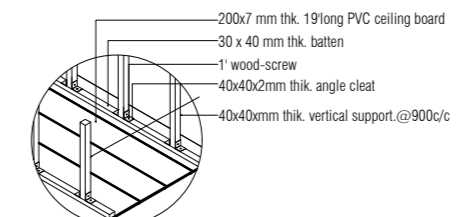


MILITARY ENGINEERS
MALDIVES NATIONAL DEFENCE FORCE
Male', Republic of Maldives

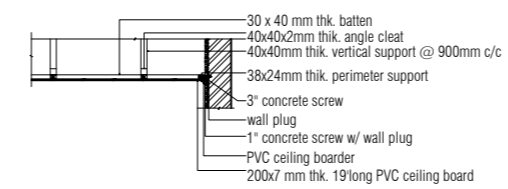
The drawings, concept and design contained are the properties of Military Engineers MNDF. Use of any kind or copy of whole or part of this drawing, concept or design or use on other projects or sites other than that specified on this drawing is strictly prohibited.



LONGITUDINAL SECTION
SCALE 1:50

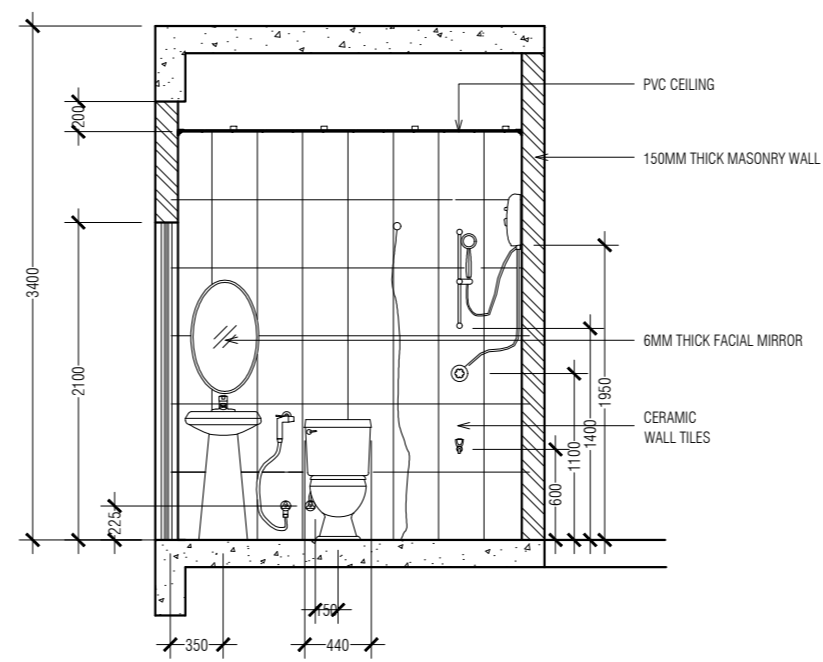
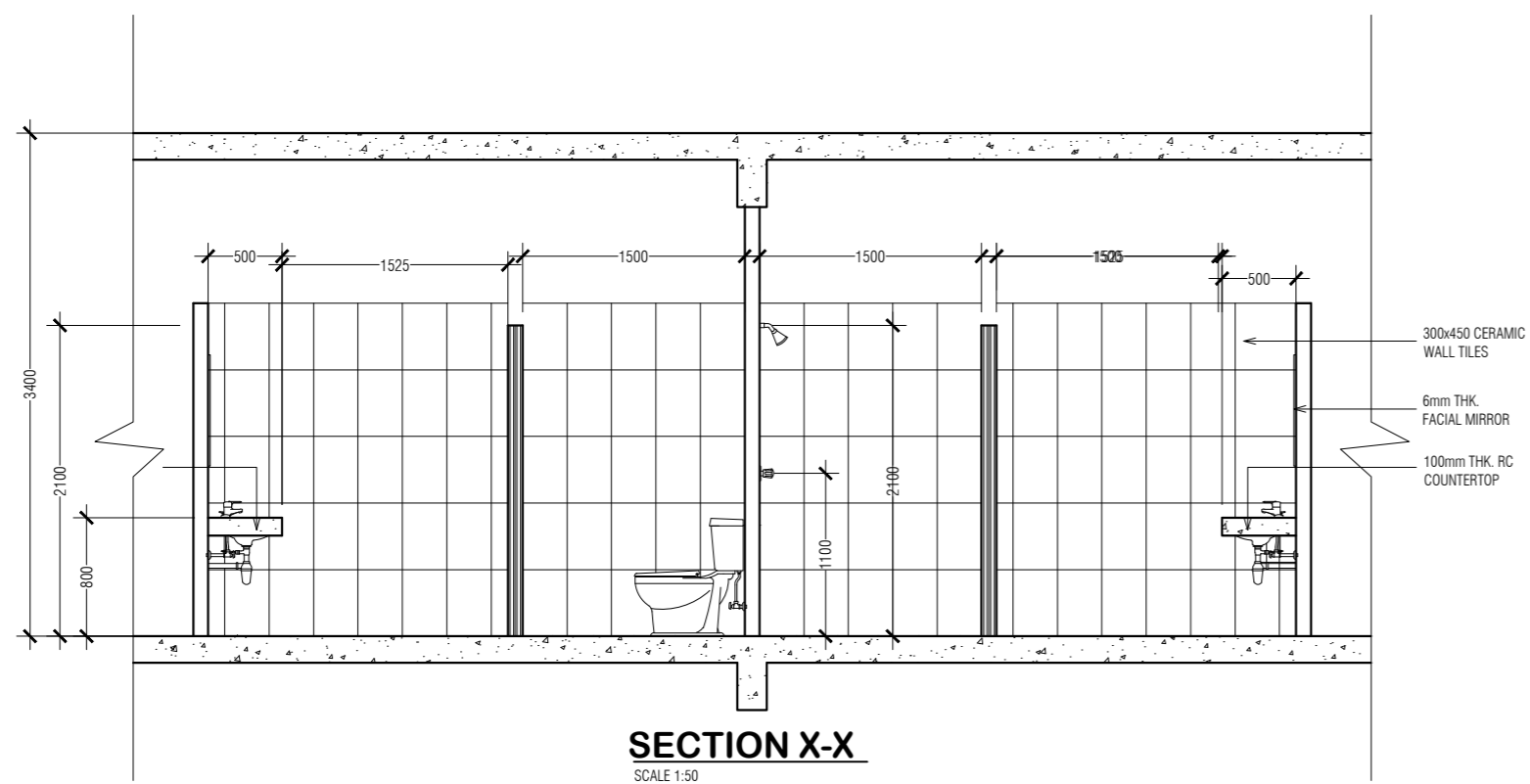


FIXING DETAIL
SCALE 1:50

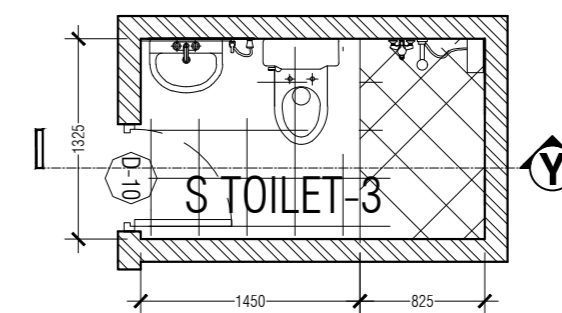


CROSS SECTION
SCALE 1:50

SECOND TO SEVENTH FLOOR TOILET
CEILING DETAILS
SCALE 1:50



SECTION Y-Y
SCALE 1:50



9 STOREY ACCOMMODATION BUILDING

BANDAARAKOSHI / MALE'

SHEET CONTENT:

RECOM. APPROVAL:

CPT. AHMED SHARIM
OFFICER COMMANDING

DESIGN APPROVAL:

BRIG.GEN.AHMED SHAHID
VICE CHIEF OF DEFENCE FORCE

APPROVED:

MAJ.GEN. AHMED SHIYAM
CHIEF OF DEFENCE FORCE

APPROVED DATE:

DESIGNED:

PTE MOHAMED SAIF
L.CPL ALI MUTHASIM
Architectural

WO1 AHMED SHAZEEL
Structural

CHECKED:

CPT MOHAMED SHIFAAU
Architectural

WO3 AIMINATH ALI
Structural

Electrical & Mechanical

Communication

DRAWN:

L.CPL ALI MUTHASIM
PTE MOHAMED SAIF

07/08/2016

REVISION:

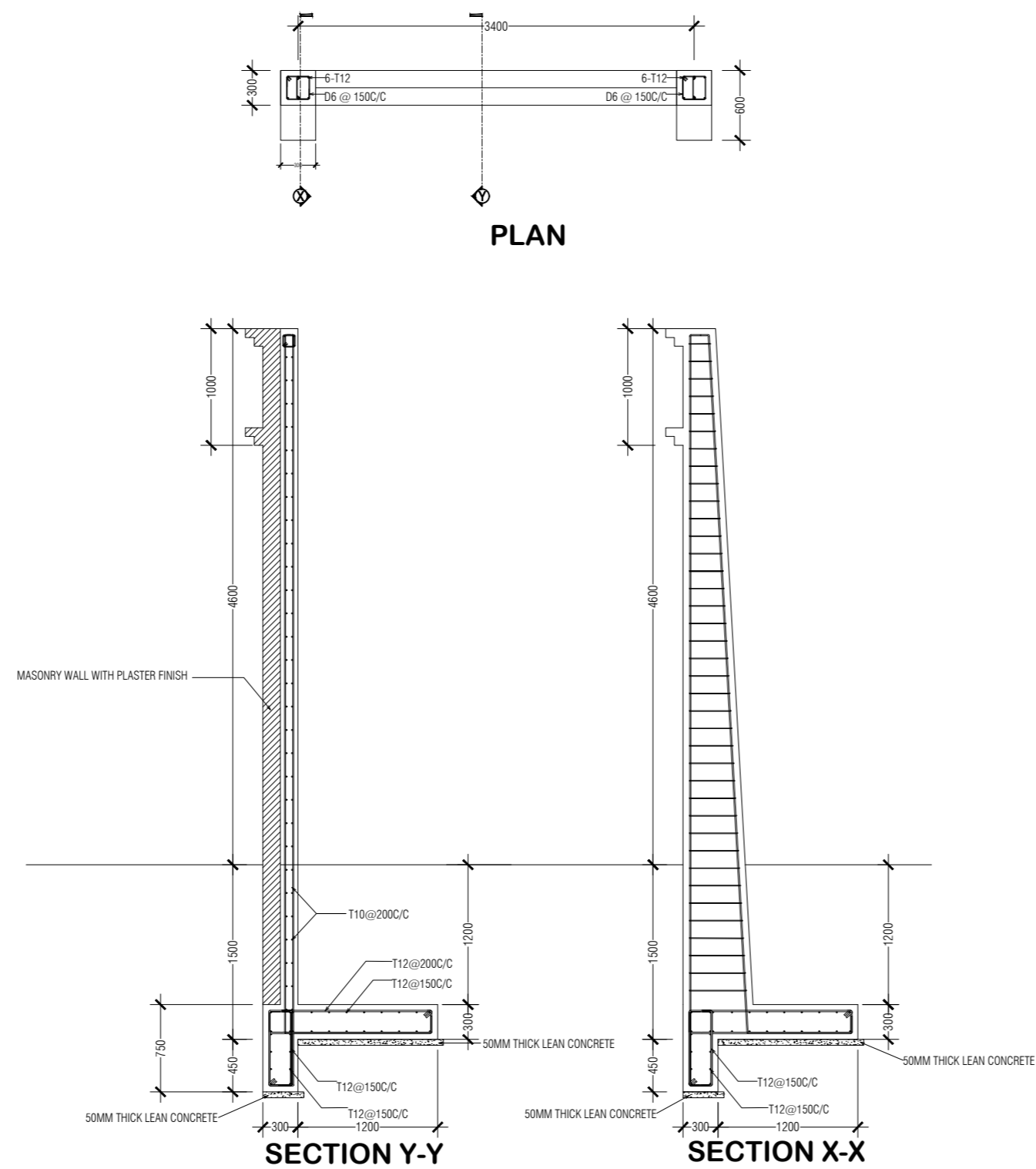
PTE YAMIN SAEED
PTE HUSSAIN QASIM

25/01/2017

SCALE:

1:50

SHEET NO:



PERIMETER WALL DETAIL
SCALE 1:50



MILITARY ENGINEERS
MALDIVES NATIONAL DEFENCE FORCE
Male', Republic of Maldives

The drawings, concept and design contained are the properties of Military Engineers MNDF. Use of any kind or copy of whole or part of this drawing, concept or design or use on other projects or sites other than that specified on this drawing is strictly prohibited.

SHEET CONTENT:

RECOM. APPROVAL:

CPT. AHMED SHARIM
OFFICER COMMANDING

DESIGN APPROVAL:

BRIG.GEN.AHMED SHAHID
VICE CHIEF OF DEFENCE FORCE

APPROVED:

MAJ.GEN. AHMED SHIYAM
CHIEF OF DEFENCE FORCE

APPROVED DATE:

DESIGNED:

PTE MOHAMED SAIF
L.CPL ALI MUTHASIM
Architectural

WO1 AHMED SHAZEEL
Structural

CHECKED:

CPT MOHAMED SHIFAAU
Architectural

WO3 AIMINATH ALI
Structural

Electrical & Mechanical Communication

DRAWN:

L.CPL ALI MUTHASIM
PTE MOHAMED SAIF

07/08/2016

REVISION:

PTE YAMIN SAEED
PTE HUSSAIN QASIM

25/01/2017

SCALE:

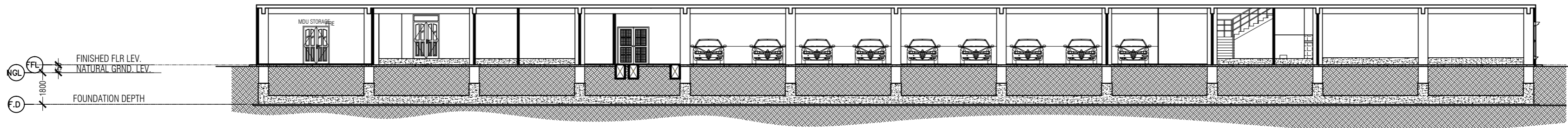
1:50

SHEET NO:

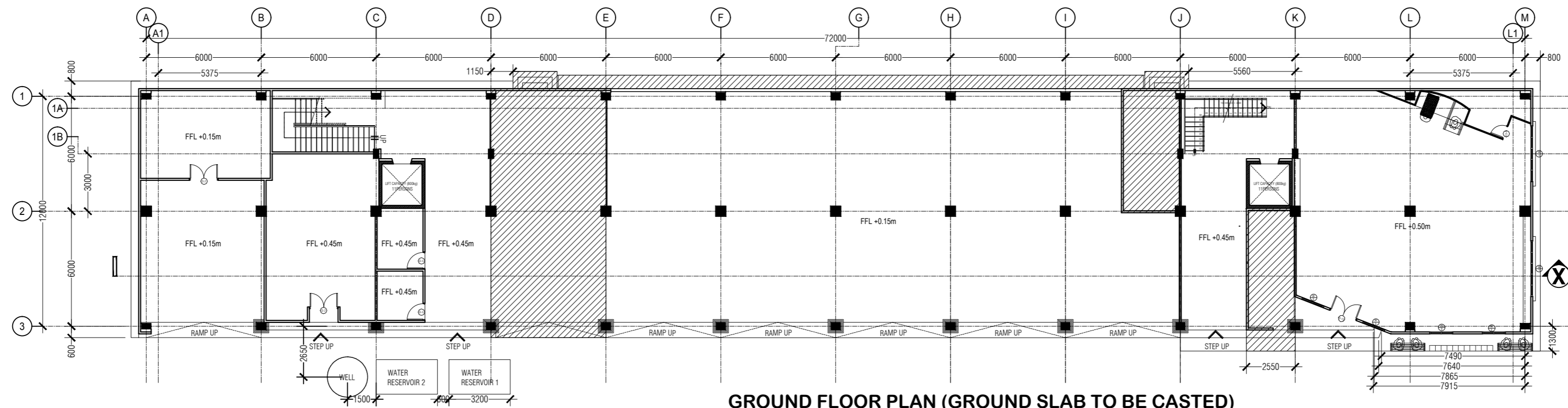


MILITARY ENGINEERS
MALDIVES NATIONAL DEFENCE FORCE
Male, Republic of Maldives

The drawings, concept and design contained are the properties of Military Engineers MNDF. Use of any kind or copy of whole or part of this drawing, concept or design or use on other projects or sites other than that specified on this drawing is strictly prohibited.



CROSS SECTION X-X
SCALE 1:200



GROUND FLOOR PLAN (GROUND SLAB TO BE CASTED)

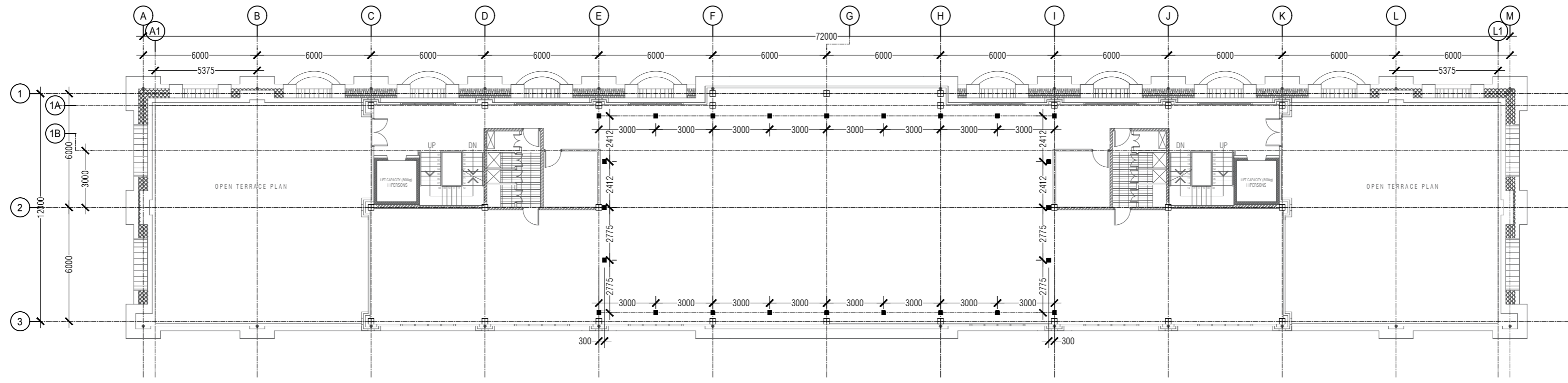
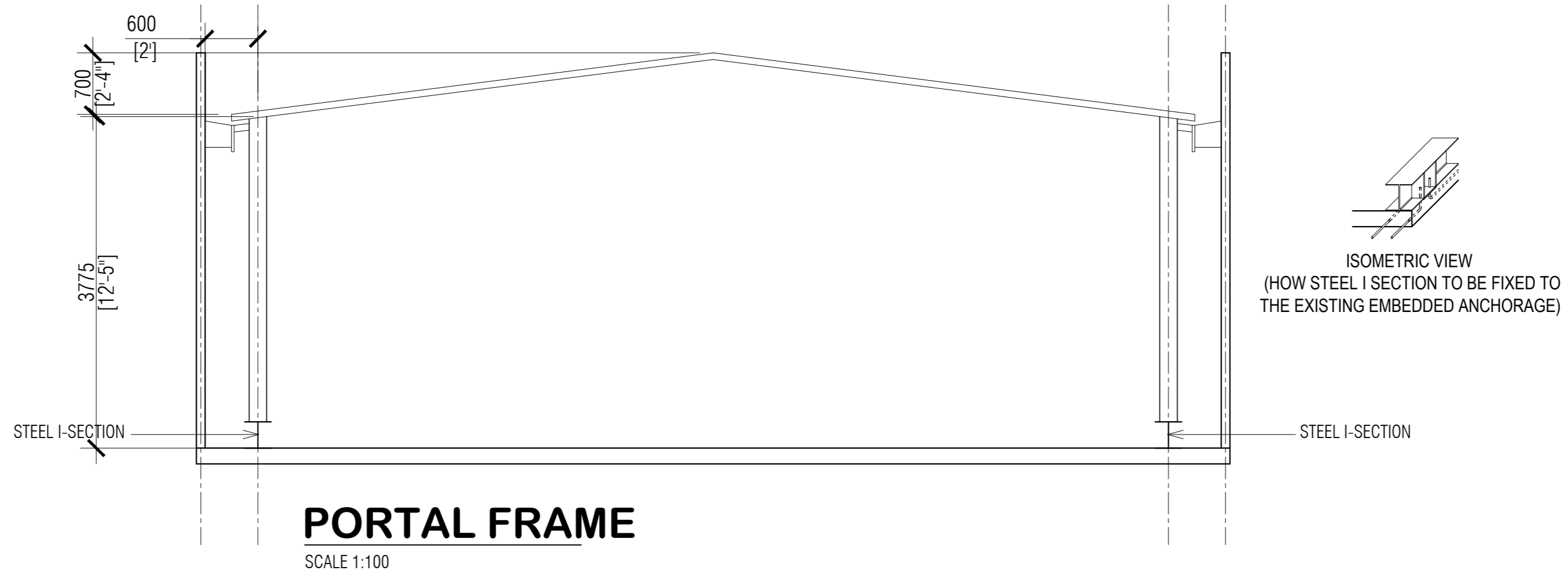
SCALE 1:200

100MM THICK SLAB

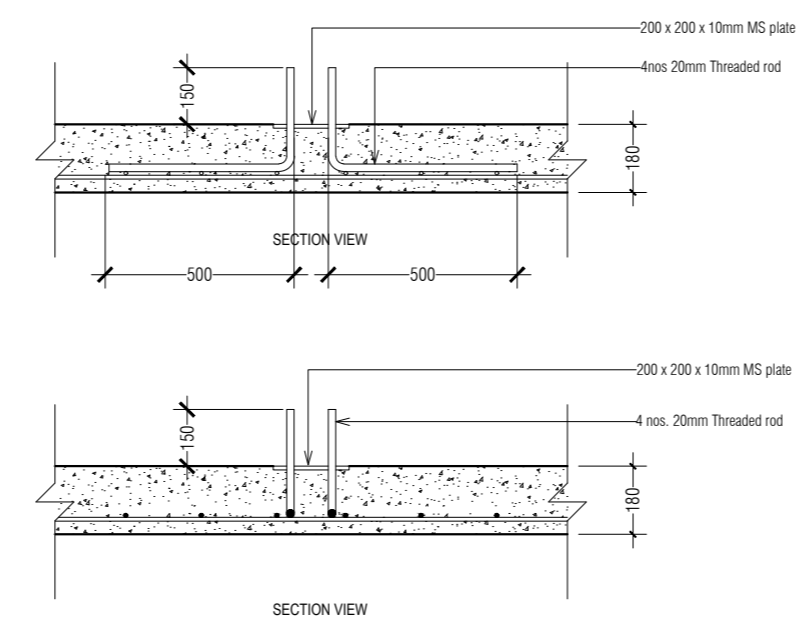
BOTTOM REIN * B1-T10 @200 c/c
* B2-T10 @200 c/c
* BOTTOM AND TOP COVER = 35MM
* END COVER = 40MM

GROUND SLAB TO BE CASTED

15 / 02 / 2017



PLAN
PORTAL FRAME
SCALE 1:200



ANCHOR PLATE FIXING DETAIL (EXISTING)
SCALE 1:20

9 STOREY ACCOMODATION BUILDING
BANDAARA KOSHI

SHEET CONTENT:

DESIGN APPROVAL:

CPT. AHMED SHARIM
OFFICER COMMANDING

RECOM. APPROVAL:

BRIG.GEN.AHMED SHAHID
VICE CHIEF OF DEFENCE FORCE

APPROVED:

MAG.GEN. AHMED SHIYAM
CHIEF OF DEFENCE FORCE

APPROVED DATE:

DESIGNED:

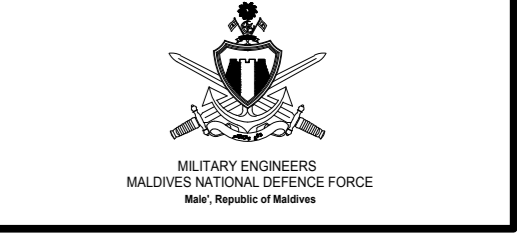
PTE MOHAMED SAIF L.CPL ALI MUTHASIM Architectural	WO1 AHMED SHAZEEL Structural
---	--

CHECKED:

CPT MOHAMED SHIFAAU Architectural	WO3 AIMINATH ALI Structural
Electrical & Mechanical	Communication

DRAWN:	REVISION:
PTE MOHAMED SAIF L.CPL ALI MUTHASIM	PTE YAMIN SAEED PTE HUSSAIN QASIM
07/08/2016	25/01/2017

SCALE: AS SHOWN	SHEET NO:
---------------------------	-----------



The drawings, concept and design contained are the properties of Military Engineers MNDF. Use of any kind or copy of whole or part of this drawing, concept or design or use on other projects or sites other than that specified on this drawing is strictly prohibited.

SHEET CONTENT:

RECOM. APPROVAL:

CPT. AHMED SHARIM
OFFICER COMMANDING

DESIGN APPROVAL:

BRIG.GEN.AHMED SHAHID
VICE CHIEF OF DEFENCE FORCE

APPROVED:

MAJ.GEN. AHMED SHIYAM
CHIEF OF DEFENCE FORCE

APPROVED DATE:

DESIGNED:

PTE MOHAMED SAIF
L.CPL ALI MUTHASIM
Architectural

WO1 AHMED SHAZEEL
Structural

CHECKED:

CPT MOHAMED SHIFAAU
Architectural

WO3 AIMINATH ALI
Structural

Electrical & Mechanical

Communication

DRAWN:

L.CPL ALI MUTHASIM
PTE MOHAMED SAIF

07/08/2016

REVISION:

PTE YAMIN SAED
PTE HUSSAIN QASIM

25/01/2017

SCALE:

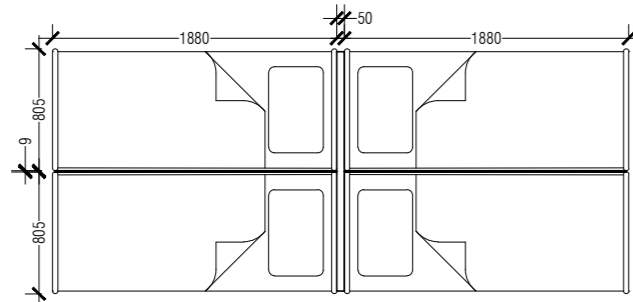
1:50

SHEET NO:

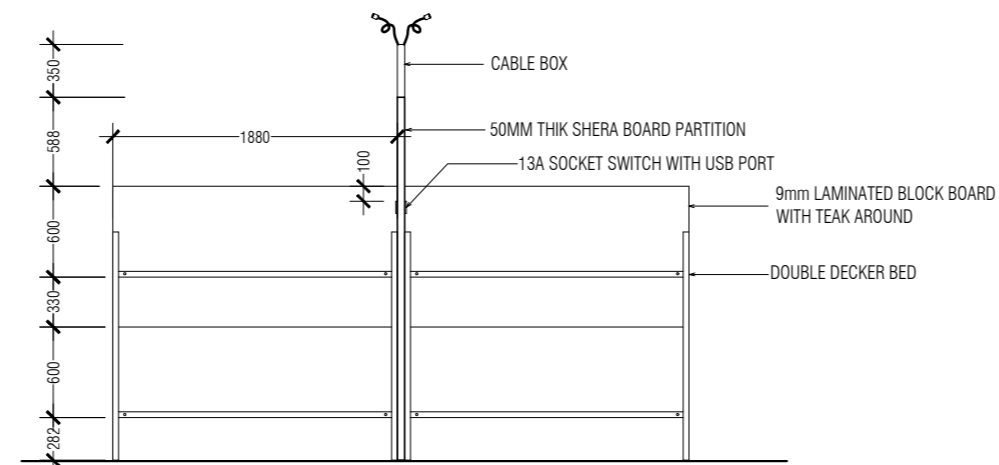


MILITARY ENGINEERS
MALDIVES NATIONAL DEFENCE FORCE
Male, Republic of Maldives

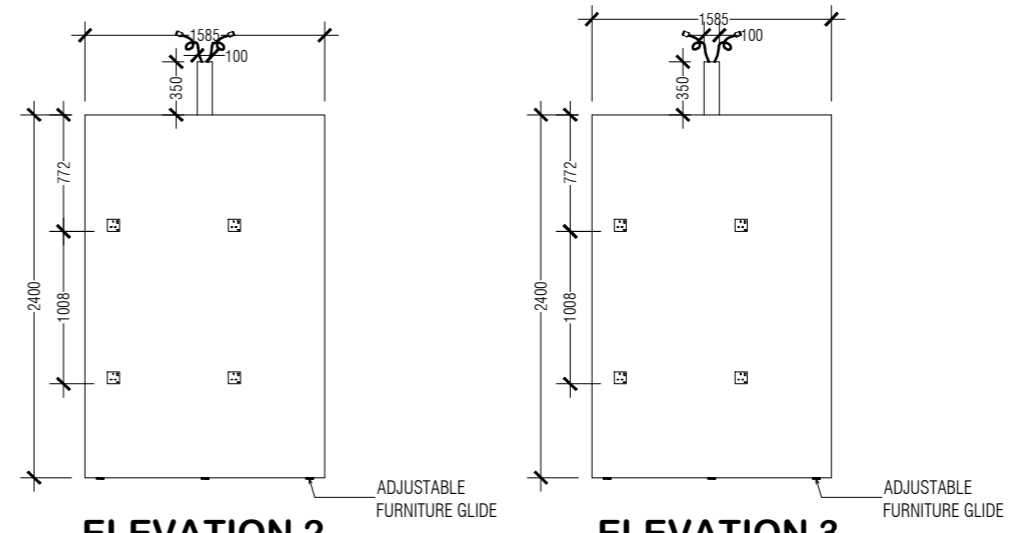
The drawings, concept and design contained are the properties of Military Engineers MNDF. Use of any kind or copy of whole or part of this drawing, concept or design or use on other projects or sites other than that specified on this drawing is strictly prohibited.



PLAN
SCALE: NTS

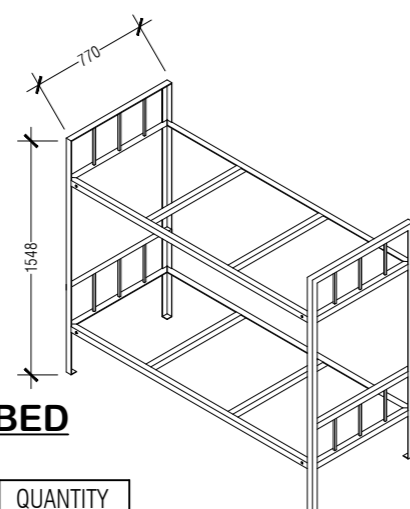


ELEVATION 1
SCALE: NTS



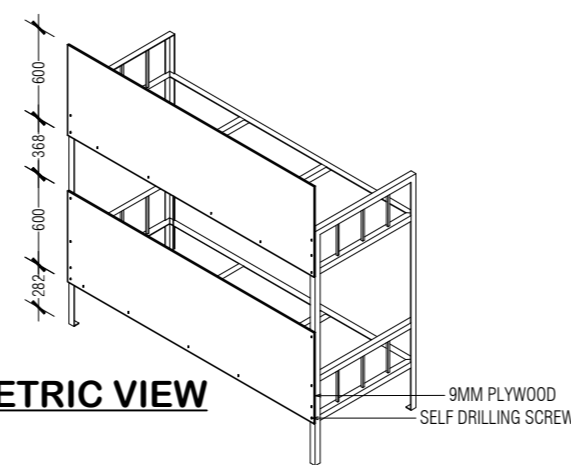
ELEVATION 2
SCALE: NTS

ELEVATION 3
SCALE: NTS

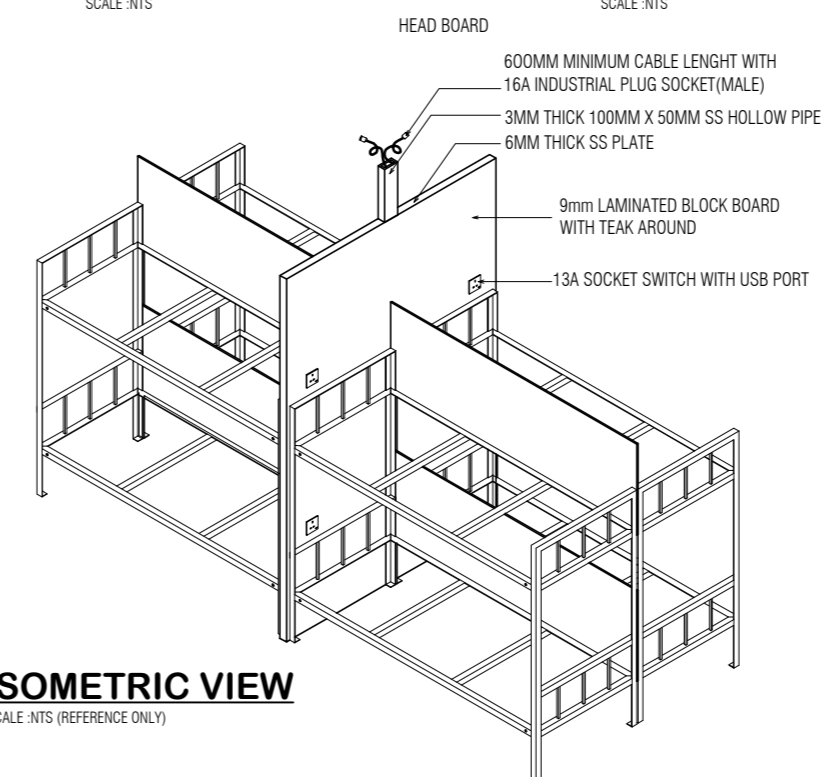


BUNK BED
SCALE: NTS

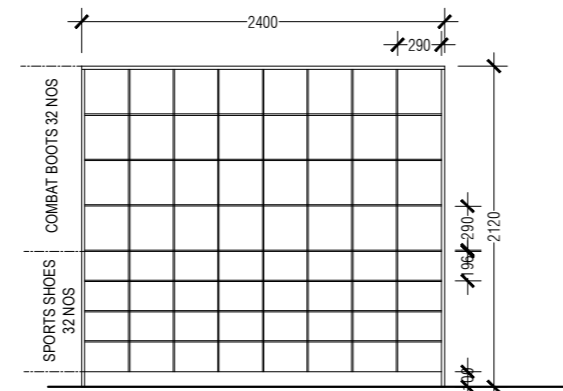
NAME: BED SET	QUANTITY
TOTAL BUNK BED	332
TOTAL HEAD BOARD	64
TOTAL PARTITION BOARD	256



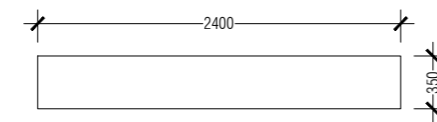
ISOMETRIC VIEW
SCALE: NTS



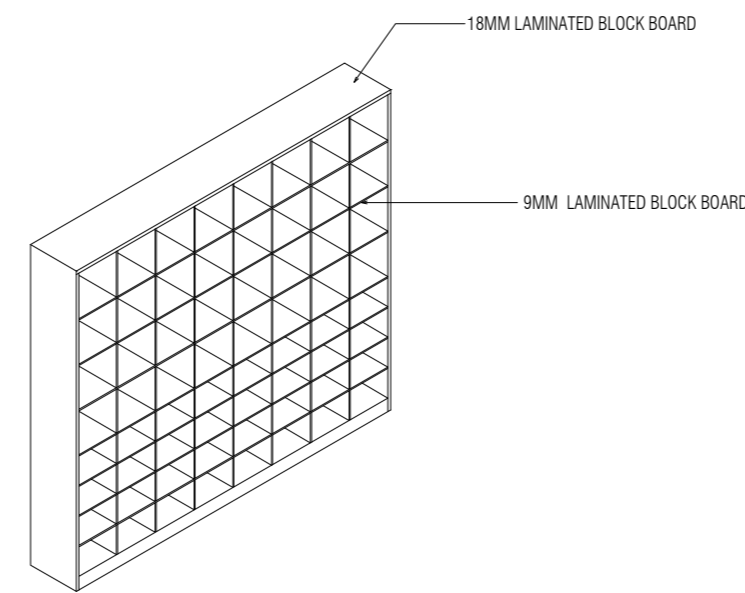
ISOMETRIC VIEW
SCALE: NTS (REFERENCE ONLY)



ELEVATION
SCALE: NTS



PLAN VIEW
SCALE: NTS



PLAN VIEW
SCALE: NTS

NAME	SHOE RACK
QUANTITY	20

9 STOREY ACCOMMODATION BUILDING

BANDAARAKOSHI / MALE

SHEET CONTENT:

RECOM. APPROVAL:

CPT. AHMED SHARIM
OFFICER COMMANDING

DESIGN APPROVAL:

BRIG.GEN.AHMED SHAHID
VICE CHIEF OF DEFENCE FORCE

APPROVED:

MAJ.GEN. AHMED SHIYAM
CHIEF OF DEFENCE FORCE

APPROVED DATE:

DESIGNED:

PTE MOHAMED SAIF
L.CPL ALI MUTHASIM
Architectural

WO1 AHMED SHAZEEL
Structural

CHECKED:

CPT MOHAMED SHIFAAU
Architectural

WO3 AIMINATH ALI
Structural

Electrical & Mechanical

Communication

DRAWN:

L.CPL ALI MUTHASIM
PTE MOHAMED SAIF

07/08/2016

REVISION:

PTE YAMIN SAEED
PTE HUSSAIN QASIM

25/01/2017

SCALE:

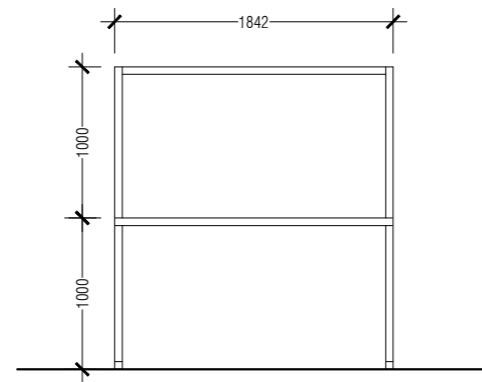
1:50

SHEET NO:

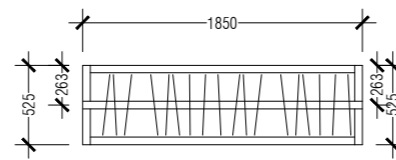


MILITARY ENGINEERS
MALDIVES NATIONAL DEFENCE FORCE
Male, Republic of Maldives

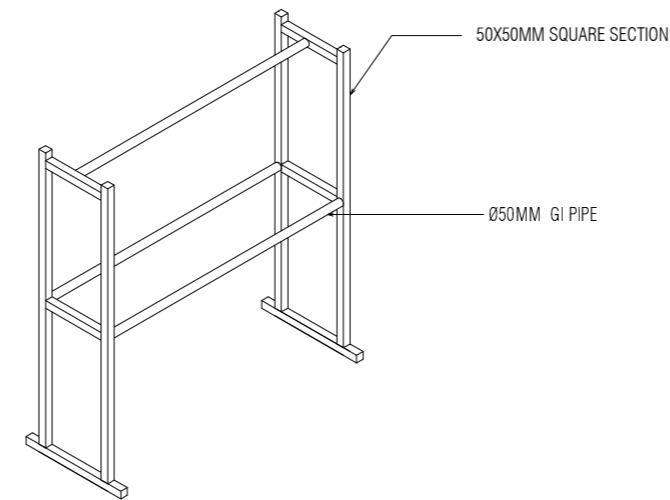
The drawings, concept and design contained are the properties of Military Engineers MNDF. Use of any kind or copy of whole or part of this drawing, concept or design or use on other projects or sites other than that specified on this drawing is strictly prohibited.



ELEVATION
SCALE: NTS



PLAN VIEW
SCALE: NTS



PLAN VIEW
SCALE: NTS

NAME	DRYING RACK 2
QUANTITY	4

9 STOREY ACCOMMODATION BUILDING

BANDAARAKOSHI / MALE

SHEET CONTENT:

RECOM. APPROVAL:

CPT. AHMED SHARIM
OFFICER COMMANDING

DESIGN APPROVAL:

BRIG.GEN.AHMED SHAHID
VICE CHIEF OF DEFENCE FORCE

APPROVED:

MAJ.GEN. AHMED SHIYAM
CHIEF OF DEFENCE FORCE

APPROVED DATE:

DESIGNED:

PTE MOHAMED SAIF
L.CPL ALI MUTHASIM
Architectural

WO1 AHMED SHAZEEL
Structural

CHECKED:

CPT MOHAMED SHIFAAU
Architectural

WO3 AIMINATH ALI
Structural

Electrical & Mechanical

Communication

DRAWN:

L.CPL ALI MUTHASIM
PTE MOHAMED SAIF

07/08/2016

REVISION:

PTE YAMIN SAIED
PTE HUSSAIN QASIM

25/01/2017

SCALE:

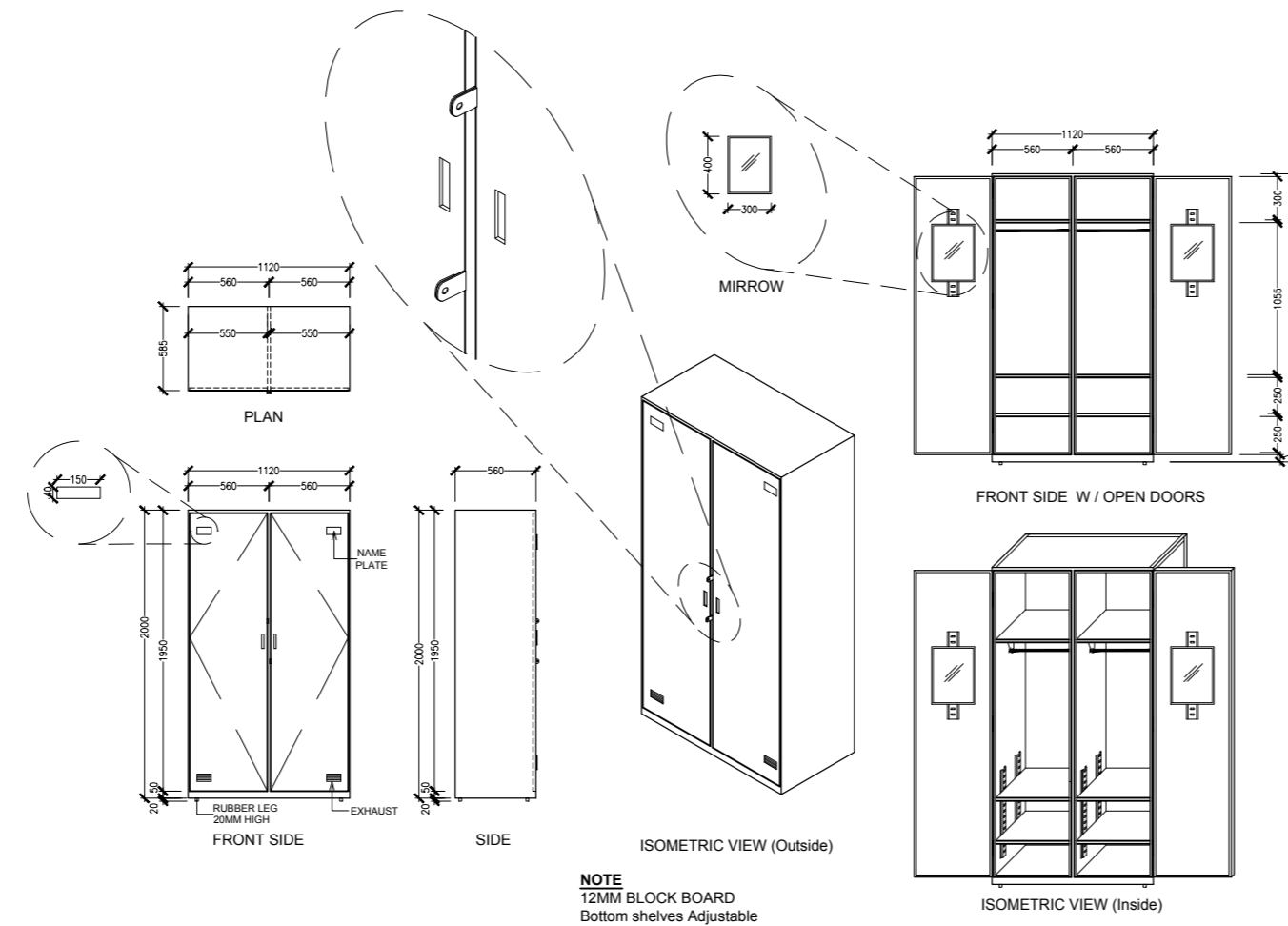
1:50

SHEET NO:



MILITARY ENGINEERS
MALDIVES NATIONAL DEFENCE FORCE
Male, Republic of Maldives

The drawings, concept and design contained are the properties of Military Engineers MNDF. Use of any kind or copy of whole or part of this drawing, concept or design or use on other projects or sites other than that specified on this drawing is strictly prohibited.



OFFICERS CUPBOARD

SCALE: NTS

NOTE
12MM BLOCK BOARD
Bottom shelves Adjustable

NAME	CUPBOARD
QUANTITY	96

9 STOREY ACCOMMODATION BUILDING

BANDAARAKOSHI / MALE

SHEET CONTENT:

RECOM. APPROVAL:

CPT. AHMED SHARIM
OFFICER COMMANDING

DESIGN APPROVAL:

BRIG.GEN.AHMED SHAHID
VICE CHIEF OF DEFENCE FORCE

APPROVED:

MAJ.GEN. AHMED SHIYAM
CHIEF OF DEFENCE FORCE

APPROVED DATE:

DESIGNED:

PTE MOHAMED SAIF
L.CPL ALI MUTHASIM
Architectural

WO1 AHMED SHAZEEL
Structural

CHECKED:

CPT MOHAMED SHIFAAU
Architectural

WO3 AIMINATH ALI
Structural

Electrical & Mechanical Communication

DRAWN:

L.CPL ALI MUTHASIM
PTE MOHAMED SAIF

07/08/2016

REVISION:

PTE YAMIN SAEED
PTE HUSSAIN QASIM

25/01/2017

SCALE:

1:50

SHEET NO:



MILITARY ENGINEERS
MALDIVES NATIONAL DEFENCE FORCE
Male, Republic of Maldives

The drawings, concept and design contained are the properties of Military Engineers MNDF. Use of any kind or copy of whole or part of this drawing, concept or design or use on other projects or sites other than that specified on this drawing is strictly prohibited.

SHEET CONTENT:

RECOM. APPROVAL:

CPT. AHMED SHARIM
OFFICER COMMANDING

DESIGN APPROVAL:

BRIG.GEN.AHMED SHAHID
VICE CHIEF OF DEFENCE FORCE

APPROVED:

MAJ.GEN. AHMED SHIYAM
CHIEF OF DEFENCE FORCE

APPROVED DATE:

DESIGNED:

PTE MOHAMED SAIF
L.CPL ALI MUTHASIM
Architectural

WO1 AHMED SHAZEEL
Structural

CHECKED:

CPT MOHAMED SHIFAAU
Architectural

WO3 AIMINATH ALI
Structural

Electrical & Mechanical

Communication

DRAWN:

L.CPL ALI MUTHASIM
PTE MOHAMED SAIF

07/08/2016

REVISION:

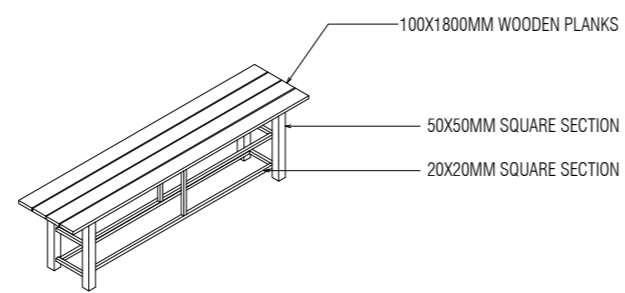
PTE YAMIN SAED
PTE HUSSAIN QASIM

25/01/2017

SCALE:

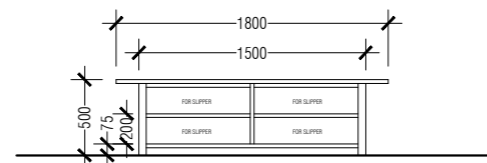
1:50

SHEET NO:



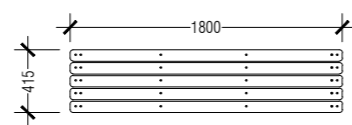
ISOMETRIC VIEW

SCALE: NTS



ELEVATION

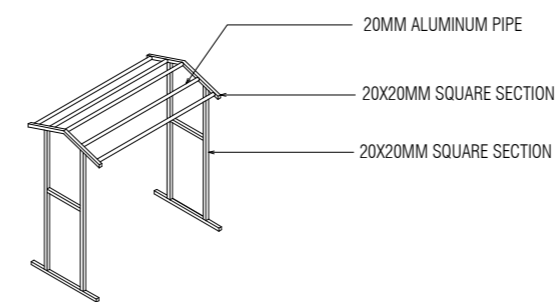
SCALE: NTS



PLAN VIEW

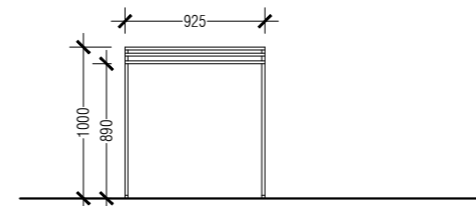
SCALE: NTS

NAME	BENCH
QUANTITY	20



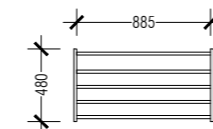
ISOMETRIC VIEW

SCALE: NTS



ELEVATION

SCALE: NTS



PLAN VIEW

SCALE: NTS

NAME	TOWEL RACK
QUANTITY	104



MILITARY ENGINEERS
MALDIVES NATIONAL DEFENCE FORCE
Male', Republic of Maldives

The drawings, concept and design contained are the properties of Military Engineers MNDF. Use of any kind or copy of whole or part of this drawing, concept or design or use on other projects or sites other than that specified on this drawing is strictly prohibited.