

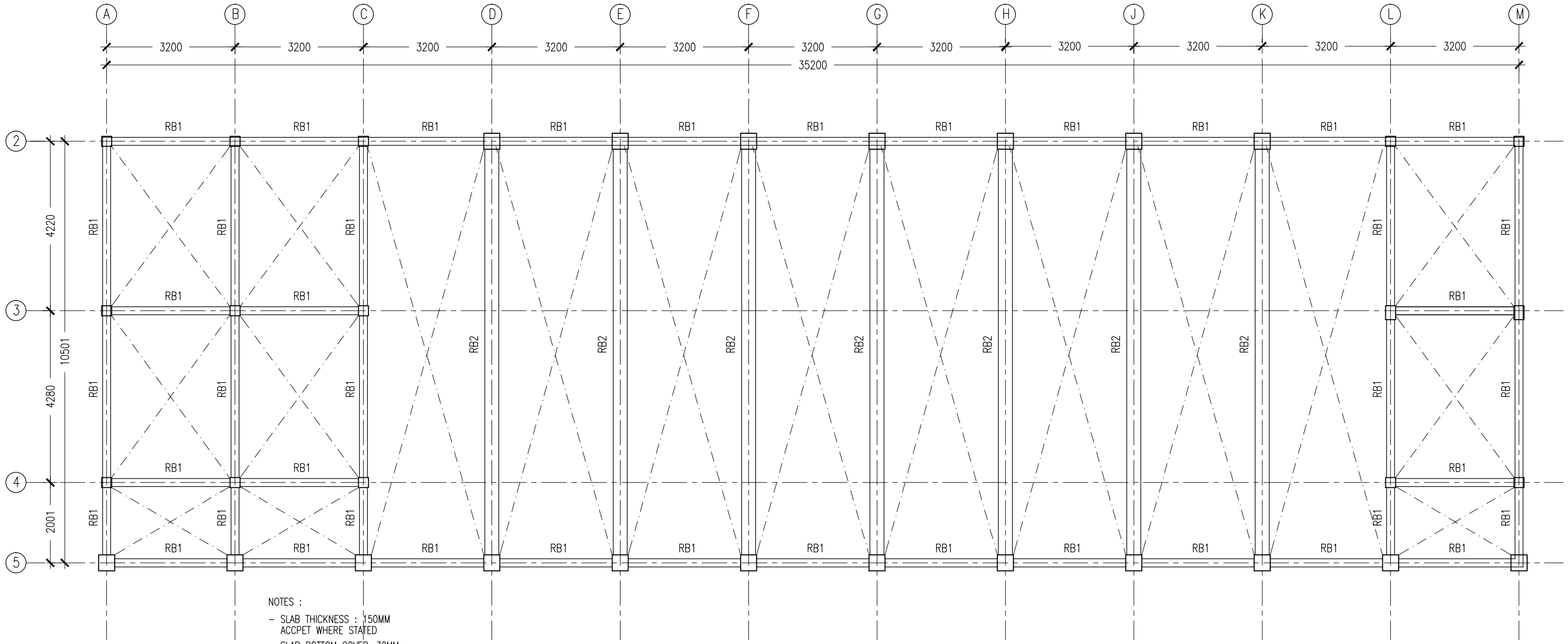
- NOTES :
- SLAB THICKNESS : 150MM  
ACCEPT WHERE STATED
  - SLAB BOTTOM COVER: 30MM
  - SLAB TOP COVER: 25MM
  - COVER TO BEAMS : 35MM
  - COVER TO COLUMNS : 40MM
  - CONCRETE MIX : 1:2:3  
UNLESS STATED
  - ADD CONMIX MEGAFLW MP TO ALL EXTERNAL PLASTER &  
FOR WET AREA PLASTER
  - ADD CONMIX MEGA FLOW P TO ALL SUPER STRUCTURE CONCRETE.

**1ST FLOOR BEAM PLAN**  
SCALE 1:100

CONTRACTORS MUST  
CHECK ALL  
DIMENSIONS ON SITE  
BEFORE STARTING  
ANY WORK OR SHOP  
DRAWINGS.FIGURED  
DIMENSIONS TO TAKE  
PRECEDENCE OVER  
SCALE READINGS



REVISION:	ARCHITECT: MOHAMED HAMEEN	PROJECT: PROPOSED 04 CLASS ROOM & HALL BLOCK ( 02 STOREY )	<b>S-03</b>
	ENGINEER: MARIYAM SAMAAHU	LOCATION: B. KENDHOO	
	SERVICES ENG:	DRAWING TITLE: AS GIVEN	
	ESTIMATOR:	CLIENT: MINISTRY OF EDUCATION	
	DRAWN BY: ASFAN AHMED	SCALE: AS GIVEN    DIMENSION: MM    DATE: MAY 2016	
CONCEPT AND DESIGN IN THIS DRAWING ARE THE PROPERTIES OF ARCHENG STUDIO PVT LTD. UNAUTHORIZED USE OR REPRODUCTION OF PART OF THE DESIGN, DRAWINGS OR CONCEPT TO USE IN OTHER PROJECTS OR SITES OTHER THAN SPECIFIED ON THIS DRAWING IS PROHIBITED			DWG NO: PROJECT NO.:



- NOTES :
- SLAB THICKNESS : 150MM  
ACCEPT WHERE STATED
  - SLAB BOTTOM COVER: 30MM
  - SLAB TOP COVER: 25MM
  - COVER TO BEAMS : 35MM
  - COVER TO COLUMNS : 40MM
  - CONCRETE MIX : 1:2:3  
UNLESS STATED
  - ADD CONMIX MEGAFLW MP TO ALL EXTERNAL PLASTER &  
FOR WET AREA PLASTER
  - ADD CONMIX MEGA FLOW P TO ALL SUPER STRUCTURE CONCRETE.

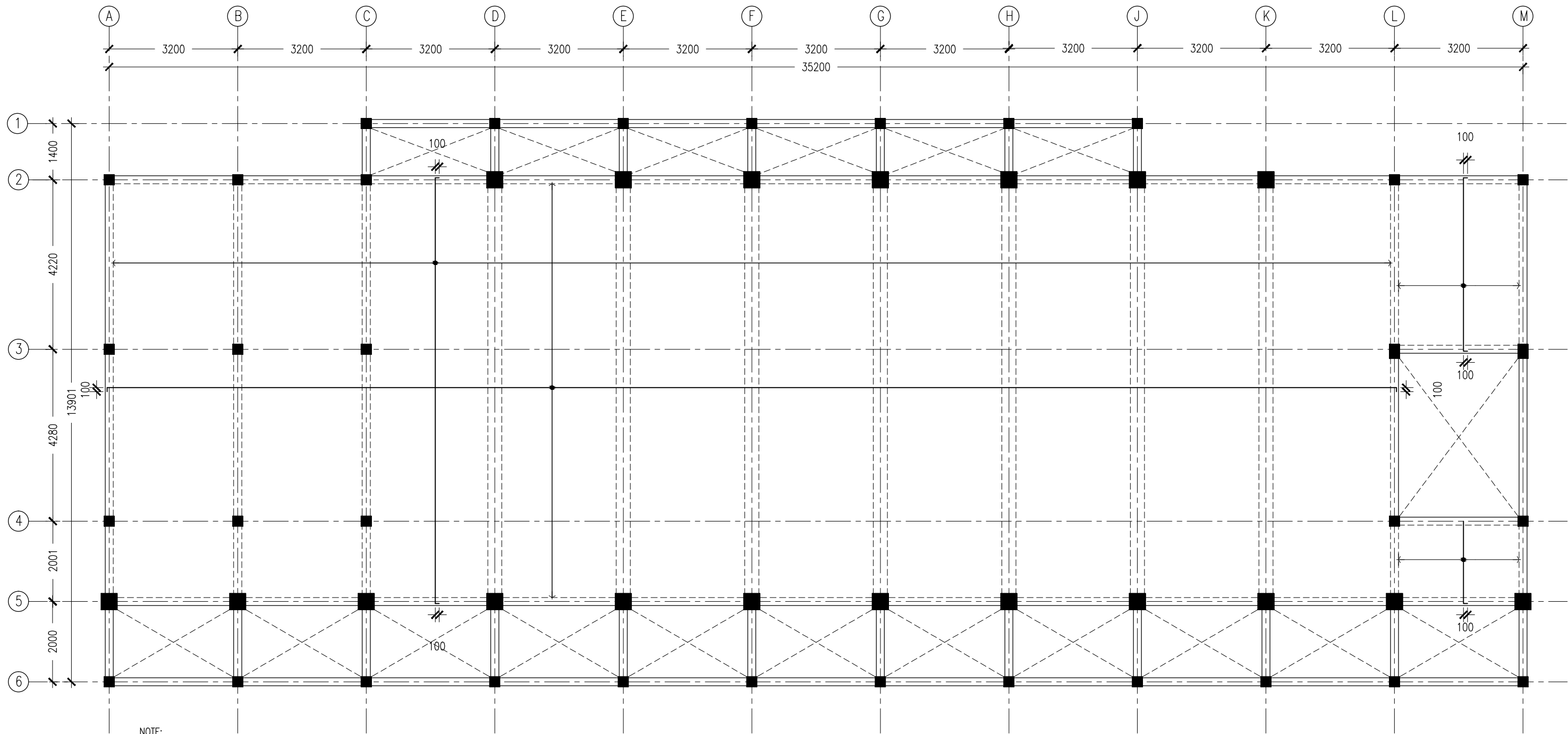
**ROOF BEAM PLAN**  
SCALE 1:100

CONTRACTORS MUST  
CHECK ALL  
DIMENSIONS ON SITE  
BEFORE STARTING  
ANY WORK OR SHOP  
DRAWINGS, FIGURED  
DIMENSIONS TO TAKE  
PRECEDENCE OVER  
SCALE READINGS



REVISION:	ARCHITECT: MOHAMED HAMEEN	PROJECT: PROPOSED 04 CLASS ROOM & HALL BLOCK ( 02 STOREY )	<b>S-04</b>
	ENGINEER: MARIYAM SAMAAHU	LOCATION: B. KENDHOO	
	SERVICES ENG:	DRAWING TITLE: AS GIVEN	
	ESTIMATOR:	CLIENT: MINISTRY OF EDUCATION	
	DRAWN BY: ASFAN AHMED	SCALE: AS GIVEN   DIMENSION: MM   DATE: MAY 2016	
			PROJECT NO.:

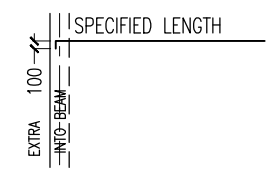
CONCEPT AND DESIGN IN THIS DRAWING ARE THE PROPERTIES OF ARCHENG STUDIO PVT LTD. UNAUTHORIZED USE OR REPRODUCTION OF PART OF THE DESIGN, DRAWINGS OR CONCEPT TO USE IN OTHER PROJECTS OR SITES OTHER THAN SPECIFIED ON THIS DRAWING IS PROHIBITED



NOTE:

- \*SLAB THICKNESS: 150MM  
ACCEPT WHERE STATED
- \*SLAB BOTTOM COVER: 30MM
- \*SLAB TOP COVER: 25MM
- \*SLAB TOP MAIN REINFORCEMENT : T10-150MM C/C  
AS SHOWN (UNLESS STATED OTHERWISE)
- \*SLAB BOTTOM REINFORCEMENT : T10-150MM BW C/C  
(THROUGHOUT) NOT SHOWN
- \*CURTAIL REBARS OVER OPENINGS
- \*PROVIDE EXTRA ADDITIONAL REINFORCEMENT  
AS SPECIFIED
- \*TOP DISTRIBUTION REINFORCEMENT : T10@300 BW C/C

\*TYPICAL TOP REBAR



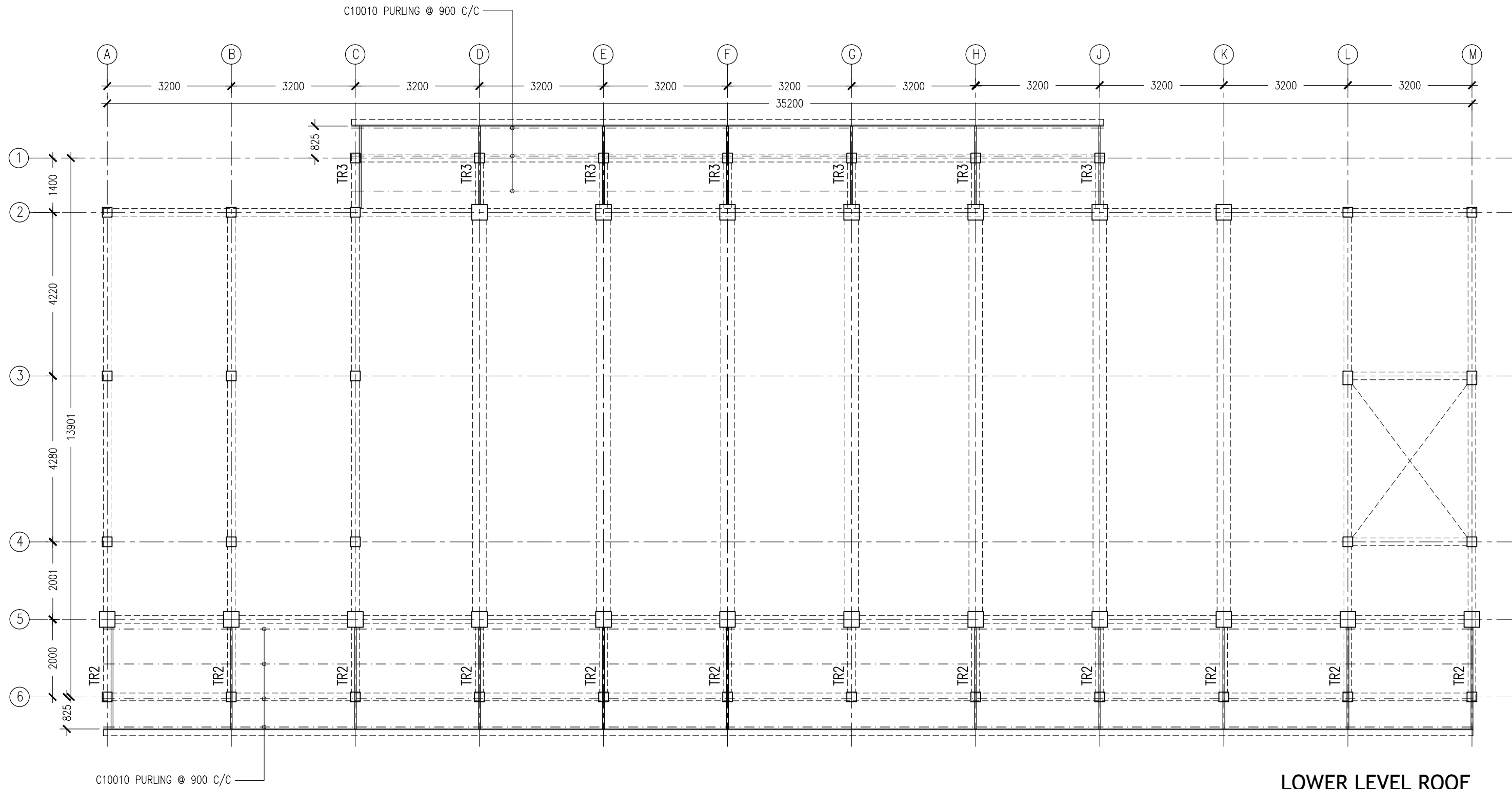
- \*FCU=25N/MM2
- \*ADD CONMIX MegaFlow P TO ALL SUPER  
STRUCTURE CONCRETE

CONTRACTORS MUST  
CHECK ALL  
DIMENSIONS ON SITE  
BEFORE STARTING  
ANY WORK OR SHOP  
DRAWINGS. FIGURED  
DIMENSIONS TO TAKE  
PRECEDENCE OVER  
SCALE READINGS



**1ST FLOOR SLAB  
REINFORCEMENT PLAN**  
SCALE 1:100

REVISION:	ARCHITECT: MOHAMED HAMEEN	PROJECT: PROPOSED 04 CLASS ROOM & HALL BLOCK ( 02 STOREY )	<b>S-05</b>
	ENGINEER: MARIYAM SAMAAHU	LOCATION: B. KENDHOO	
	SERVICES ENG:	DRAWING TITLE: AS GIVEN	
	ESTIMATOR:	CLIENT: MINISTRY OF EDUCATION	
	DRAWN BY: ASFAN AHMED	SCALE: AS GIVEN    DIMENSION: MM    DATE: MAY 2016	
CONCEPT AND DESIGN IN THIS DRAWING ARE THE PROPERTIES OF ARCHENG STUDIO PVT LTD. UNAUTHORIZED USE OR REPRODUCTION OF PART OF THE DESIGN, DRAWINGS OR CONCEPT TO USE IN OTHER PROJECTS OR SITES OTHER THAN SPECIFIED ON THIS DRAWING IS PROHIBITED			DWG NO PROJECT NO.:



**LOWER LEVEL ROOF  
STRUCTURE PLAN**  
SCALE 1:100

CONTRACTORS MUST CHECK ALL DIMENSIONS ON SITE BEFORE STARTING ANY WORK OR SHOP DRAWINGS. FIGURED DIMENSIONS TO TAKE PRECEDENCE OVER SCALE READINGS



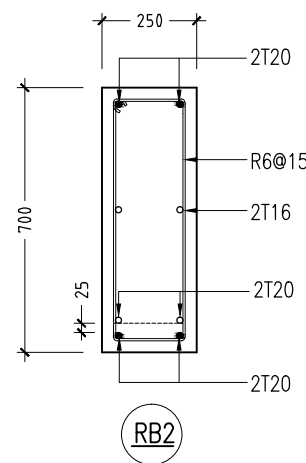
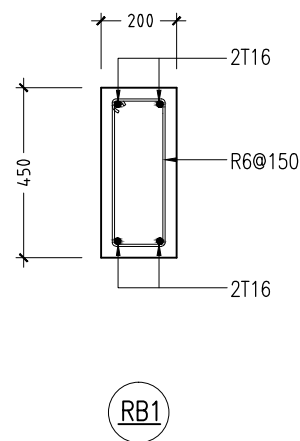
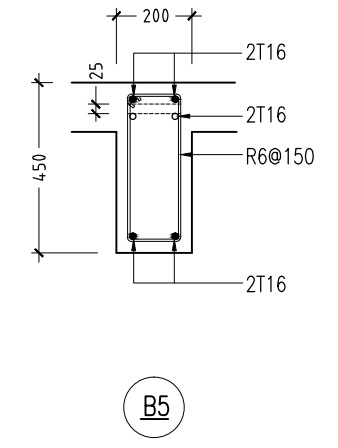
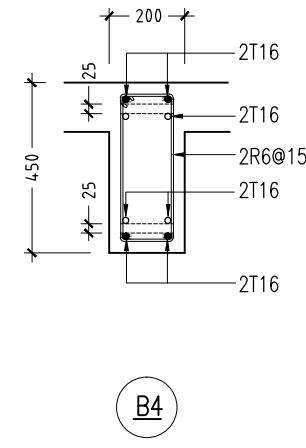
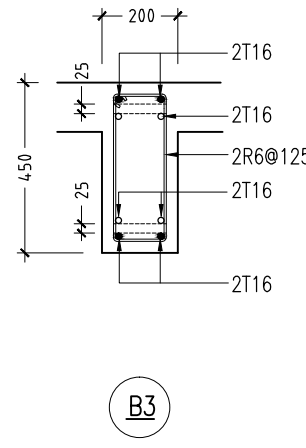
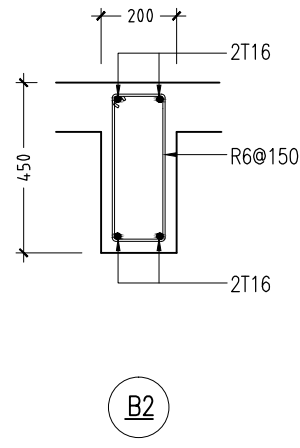
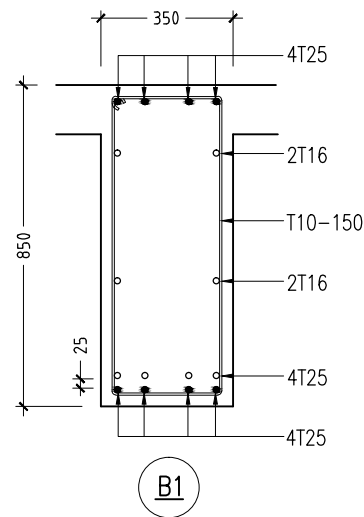
REVISION:	ARCHITECT: MOHAMED HAMEEN	PROJECT: PROPOSED 04 CLASS ROOM & HALL BLOCK ( 02 STOREY )	<b>S-06</b>
	ENGINEER: MARIYAM SAMAAHU	LOCATION: B. KENDHOO	
	SERVICES ENG:	DRAWING TITLE: AS GIVEN	
	ESTIMATOR:	CLIENT: MINISTRY OF EDUCATION	
	DRAWN BY: ASFAN AHMED	SCALE: AS GIVEN    DIMENSION: MM    DATE: MAY 2016	
		PROJECT NO.:	

CONCEPT AND DESIGN IN THIS DRAWING ARE THE PROPERTIES OF ARCHENG STUDIO PVT LTD. UNAUTHORIZED USE OR REPRODUCTION OF PART OF THE DESIGN, DRAWINGS OR CONCEPT TO USE IN OTHER PROJECTS OR SITES OTHER THAN SPECIFIED ON THIS DRAWING IS PROHIBITED



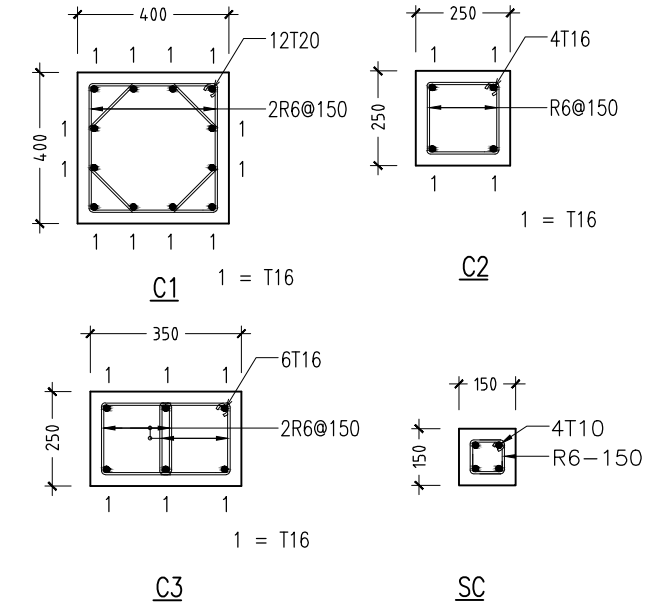
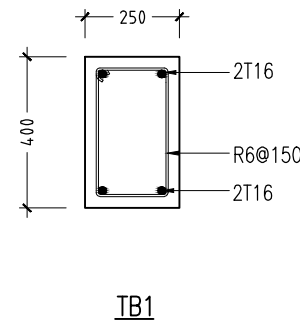
FOOTING	LENGTH/mm	WIDTH/mm	DEPTH/mm	REINFORCEMENT
F1	1750	1750	350	T12@150mm C/C BW BOTTOM
F2	700	700	350	T12@150mm C/C BW BOTTOM
F3	1000	1000	350	T12@150mm C/C BW BOTTOM
F4	1150	1150	350	T12@150mm C/C BW BOTTOM
F5	1450	1450	350	T12@150mm C/C BW BOTTOM
F6	1250	1250	350	T12@150mm C/C BW BOTTOM
F7	1350	1350	350	T12@125mm C/C BW BOTTOM
F8	1850	1850	350	T12@100mm C/C BW BOTTOM

### FOOTING DETAILS



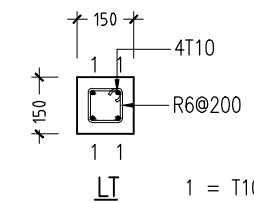
### RC BEAM DETAILS

SCALE 1:20



### COLUMN DETAILS

SCALE 1:20



LINTELS OVER ALL DOORS, WINDOWS,  
(THAT DO NOT RISE TO ROOF BEAM LEVEL)  
STRUCTURAL OPENINGS IN WALLS

### LINTEL/SILL BEAM DETAILS

SCALE 1:20

NOTE :

- COVER TO BEAMS : 35MM
- COVER TO COLUMNS : 40MM
- CONCRETE MIX : 1:2:3 UNLESS STATED
- ADD CONMIX MEGA FLOW P TO ALL SUPER STRUCTURE CONCRETE.

CONTRACTORS MUST CHECK ALL DIMENSIONS ON SITE BEFORE STARTING ANY WORK OR SHOP DRAWINGS. FIGURED DIMENSIONS TO TAKE PRECEDENCE OVER SCALE READINGS



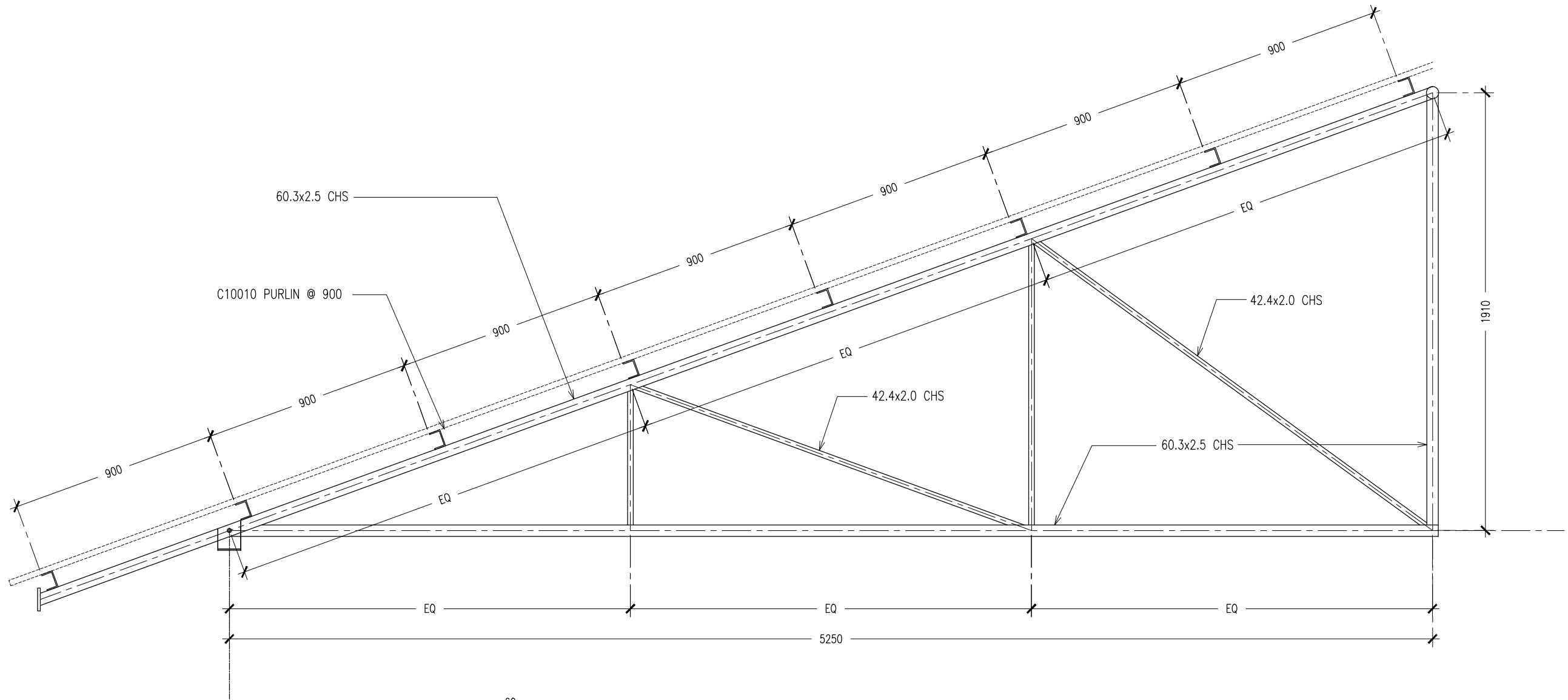
REVISION:

ARCHITECT:	MOHAMED HAMEEN
ENGINEER:	MARIYAM SAMAAHU
SERVICES ENG:	
ESTIMATOR:	
DRAWN BY:	ASFAN AHMED

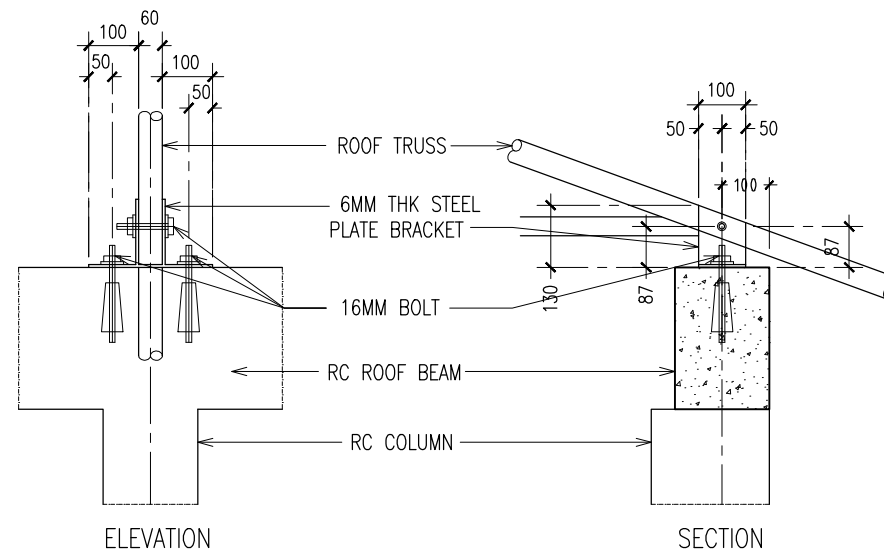
PROJECT:	PROPOSED 04 CLASS ROOM & HALL BLOCK ( 02 STOREY )
LOCATION:	B. KENDHOO
DRAWING TITLE:	AS GIVEN
CLIENT:	MINISTRY OF EDUCATION
SCALE:	AS GIVEN
DIMENSION:	MM
DATE:	MAY 2016

**S-08**

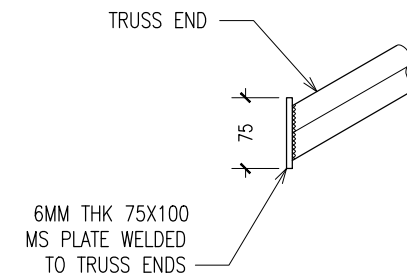
DWG NO  
PROJECT NO.:



**TRUSS - TR1**  
SCALE 1:20



**TYPICAL TRUSS FIXING DETAILS**  
SCALE : NTS



**TYPICAL TRUSS END DETAILS**  
SCALE : NTS

CONTRACTORS MUST CHECK ALL DIMENSIONS ON SITE BEFORE STARTING ANY WORK OR SHOP DRAWINGS, FIGURED DIMENSIONS TO TAKE PRECEDENCE OVER SCALE READINGS



REVISION:


ARCHITECT: MOHAMED HAMEEN

ENGINEER: MARIYAM SAMAAHU

SERVICES ENG:

ESTIMATOR:

DRAWN BY: ASFAN AHMED

PROJECT: PROPOSED 04 CLASS ROOM & HALL BLOCK ( 02 STOREY )

LOCATION: B. KENDHOO

DRAWING TITLE: AS GIVEN

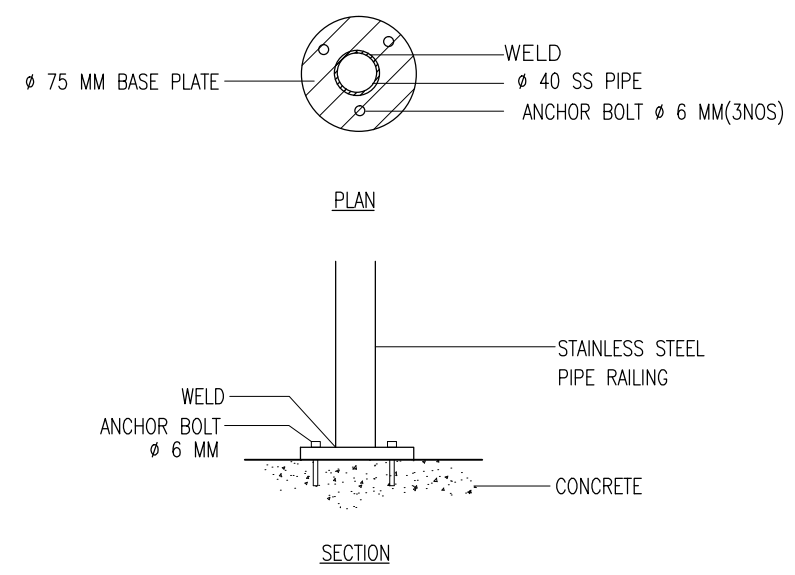
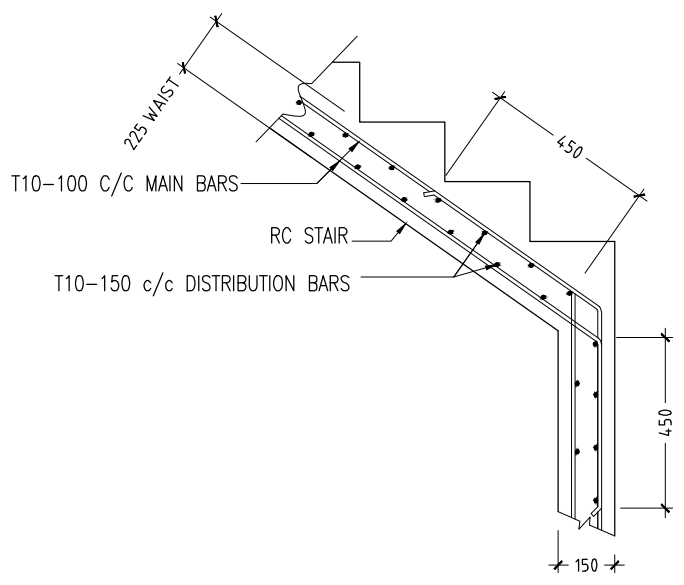
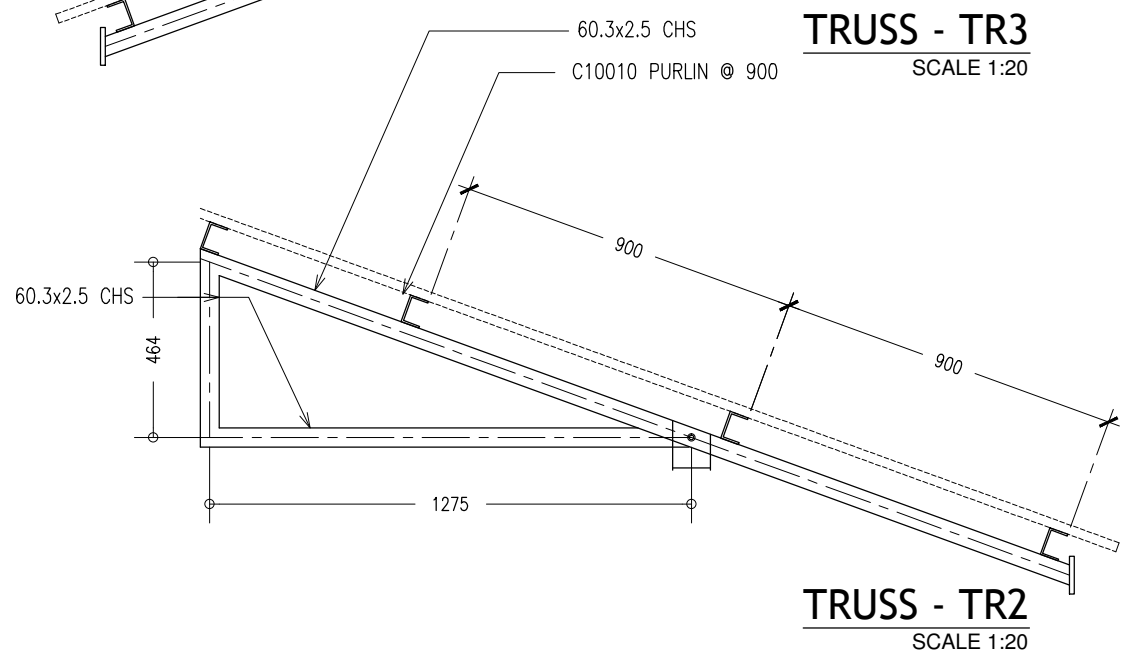
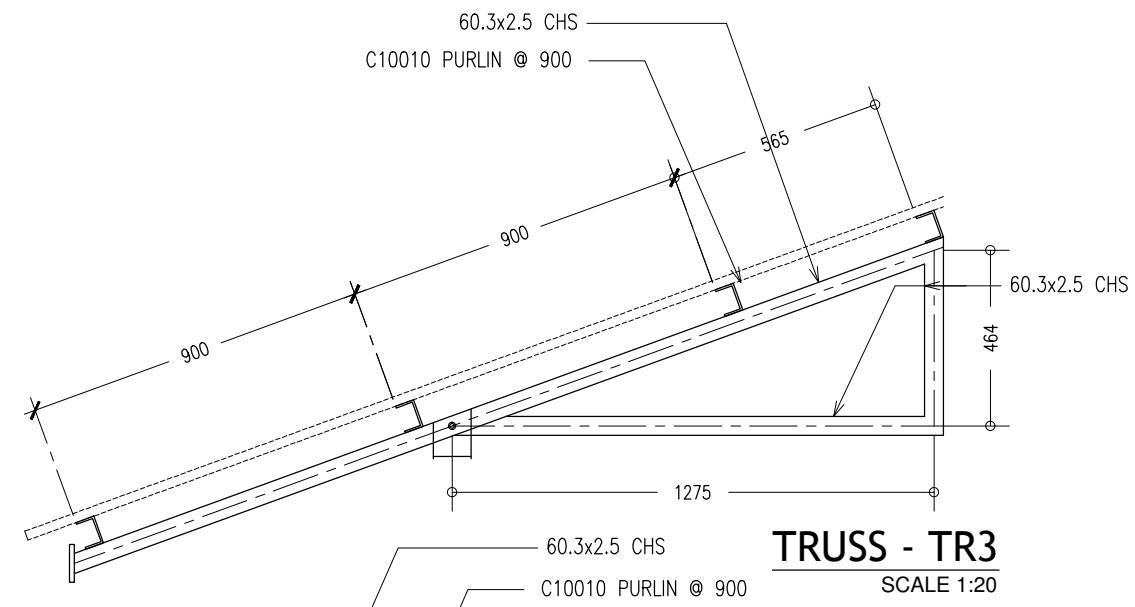
CLIENT: MINISTRY OF EDUCATION

SCALE: AS GIVEN DIMENSION: MM DATE: MAY 2016

**S-09**

DWG NO

PROJECT NO.:



CONTRACTORS MUST CHECK ALL DIMENSIONS ON SITE BEFORE STARTING ANY WORK OR SHOP DRAWINGS. FIGURED DIMENSIONS TO TAKE PRECEDENCE OVER SCALE READINGS

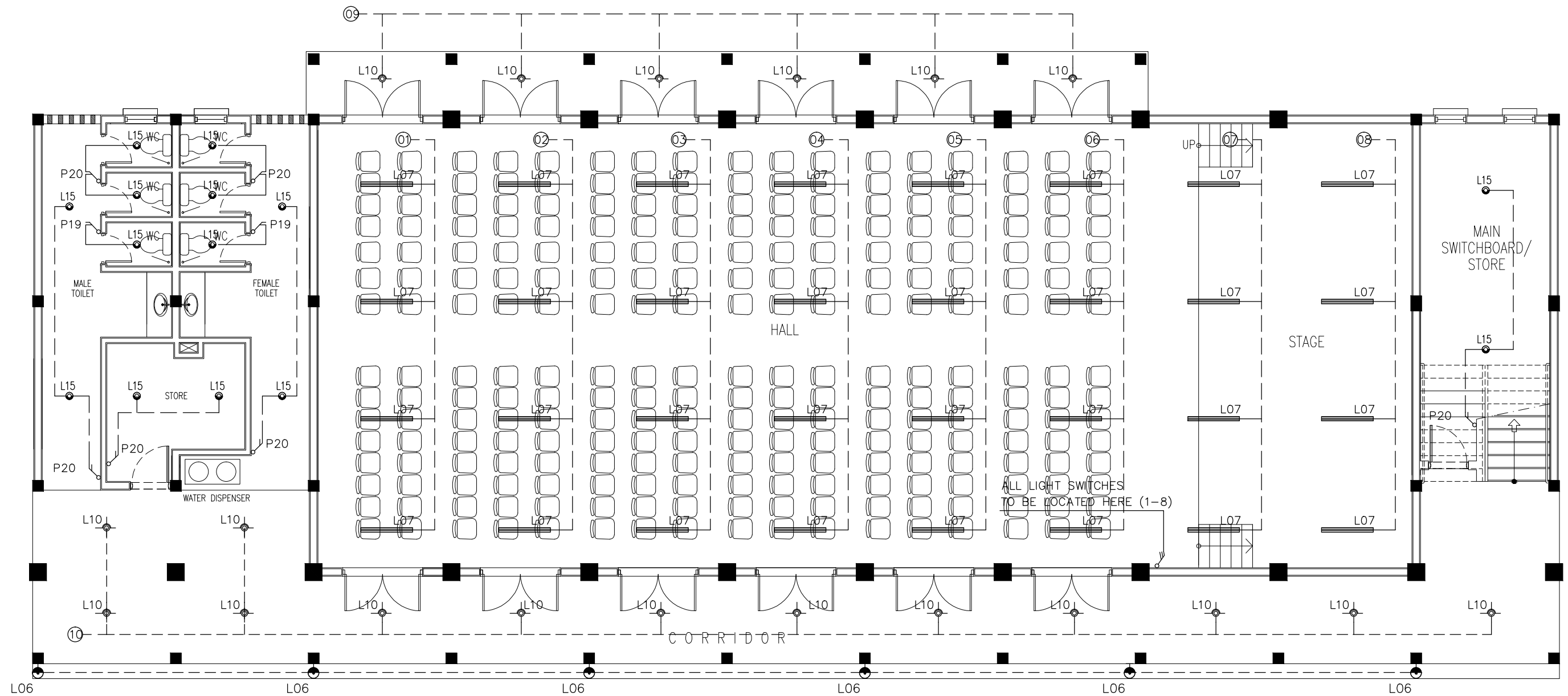


REVISION:	ARCHITECT: MOHAMED HAMEEN	PROJECT: PROPOSED 04 CLASS ROOM & HALL BLOCK ( 02 STOREY )	<b>S-10</b> DWG NO
	ENGINEER: MARIYAM SAMA AHU	LOCATION: B. KENDHOO	
	SERVICES ENG:	DRAWING TITLE: AS GIVEN	
	ESTIMATOR:	CLIENT: MINISTRY OF EDUCATION	
	DRAWN BY: ASFAN AHMED	SCALE: AS GIVEN DIMENSION: MM DATE: MAY 2016	

PROJECT NO.:

CONCEPT AND DESIGN IN THIS DRAWING ARE THE PROPERTIES OF ARCHENG STUDIO PVT LTD. UNAUTHORIZED USE OR REPRODUCTION OF PART OF THE DESIGN, DRAWINGS OR CONCEPT TO USE IN OTHER PROJECTS OR SITES OTHER THAN SPECIFIED ON THIS DRAWING IS PROHIBITED





**GROUND FLOOR LIGHTING LAYOUT PLAN**

SCALE 1:100

**LEGEND**

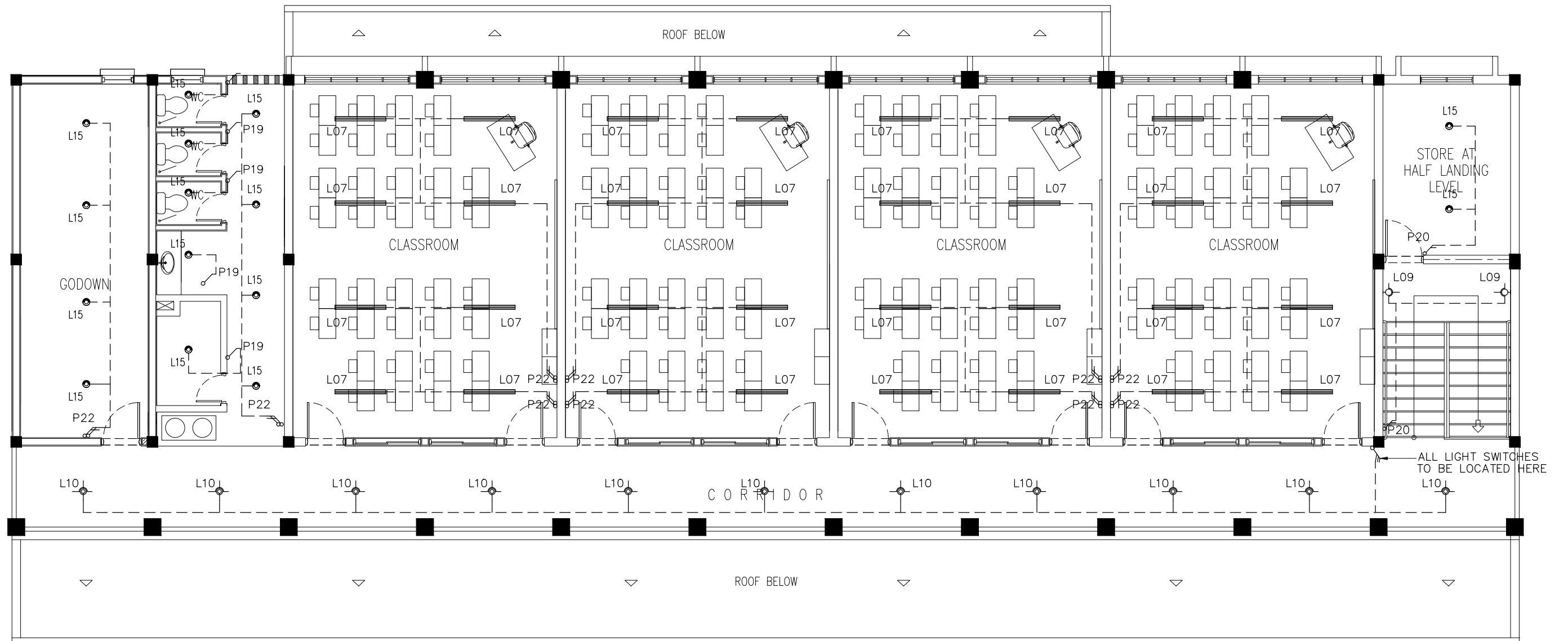
SYMBOL	CODE	DESCRIPTION
	L07	2X36W FLUORESCENT LAMPS IN SURFACE MOUNT LUMINAIRE WITH DIFFUSER
	L09	WALL MOUNT ENERGY SAVING LIGHT
	L10	1X26W COMPACT FLUORESCENT LAMPS IN RECESSED DECORATIVE LUMINAIRE
	L15	1X60W INCANDESCENT LAMPS IN RECESSED DECORATIVE LUMINAIRE
	L17	1X60W INCANDESCENT LAMPS IN SURFACE MOUNT WEATHER PROOF LUMINAIRE

	P19	1GANG 1 WAY SWITCH
	P20	2GANG 1 WAY SWITCH
	P21	3GANG 1 WAY SWITCH
	P22	4GANG 1 WAY SWITCH

CONTRACTORS MUST CHECK ALL DIMENSIONS ON SITE BEFORE STARTING ANY WORK OR SHOP DRAWINGS. FIGURED DIMENSIONS TO TAKE PRECEDENCE OVER SCALE READINGS



REVISION:	ARCHITECT: MOHAMED HAMEEN	PROJECT: PROPOSED 04 CLASS ROOM & HALL BLOCK ( 02 STOREY )	<b>E-01</b>
	ENGINEER: MARIYAM SAMAAHU	LOCATION: B. KENDHOO	
	SERVICES ENG:	DRAWING TITLE: AS GIVEN	
	ESTIMATOR:	CLIENT: MINISTRY OF EDUCATION	
	DRAWN BY: ASFAN AHMED	SCALE: AS GIVEN   DIMENSION: MM   DATE: MAY 2016	
CONCEPT AND DESIGN IN THIS DRAWING ARE THE PROPERTIES OF ARCHENG STUDIO PVT LTD. UNAUTHORIZED USE OR REPRODUCTION OF PART OF THE DESIGN, DRAWINGS OR CONCEPT TO USE IN OTHER PROJECTS OR SITES OTHER THAN SPECIFIED ON THIS DRAWING IS PROHIBITED			DWG NO: PROJECT NO.:



LEGEND

SYMBOL	CODE	DESCRIPTION
	L07	2X36W FLUORESCENT LAMPS IN SURFACE MOUNT LUMINAIRE WITH DIFFUSER
	L09	WALL MOUNT ENERGY SAVING LIGHT
	L10	1X26W COMPACT FLUORESCENT LAMPS IN RECESSED DECORATIVE LUMINAIRE
	L15	1X60W INCANDESCENT LAMPS IN RECESSED DECORATIVE LUMINAIRE
	L17	1X60W INCANDESCENT LAMPS IN SURFACE MOUNT WEATHER PROOF LUMINAIRE

	P19	1GANG 1 WAY SWITCH
	P20	2GANG 1 WAY SWITCH
	P21	3GANG 1 WAY SWITCH
	P22	4GANG 1 WAY SWITCH

1ST FLOOR LIGHTING LAYOUT PLAN

SCALE 1:100

CONTRACTORS MUST CHECK ALL DIMENSIONS ON SITE BEFORE STARTING ANY WORK OR SHOP DRAWINGS. FIGURED DIMENSIONS TO TAKE PRECEDENCE OVER SCALE READINGS



REVISION:

ARCHITECT: MOHAMED HAMEEN  
 ENGINEER: MARIYAM SAMAAHU  
 SERVICES ENG:  
 ESTIMATOR:  
 DRAWN BY: ASFAN AHMED

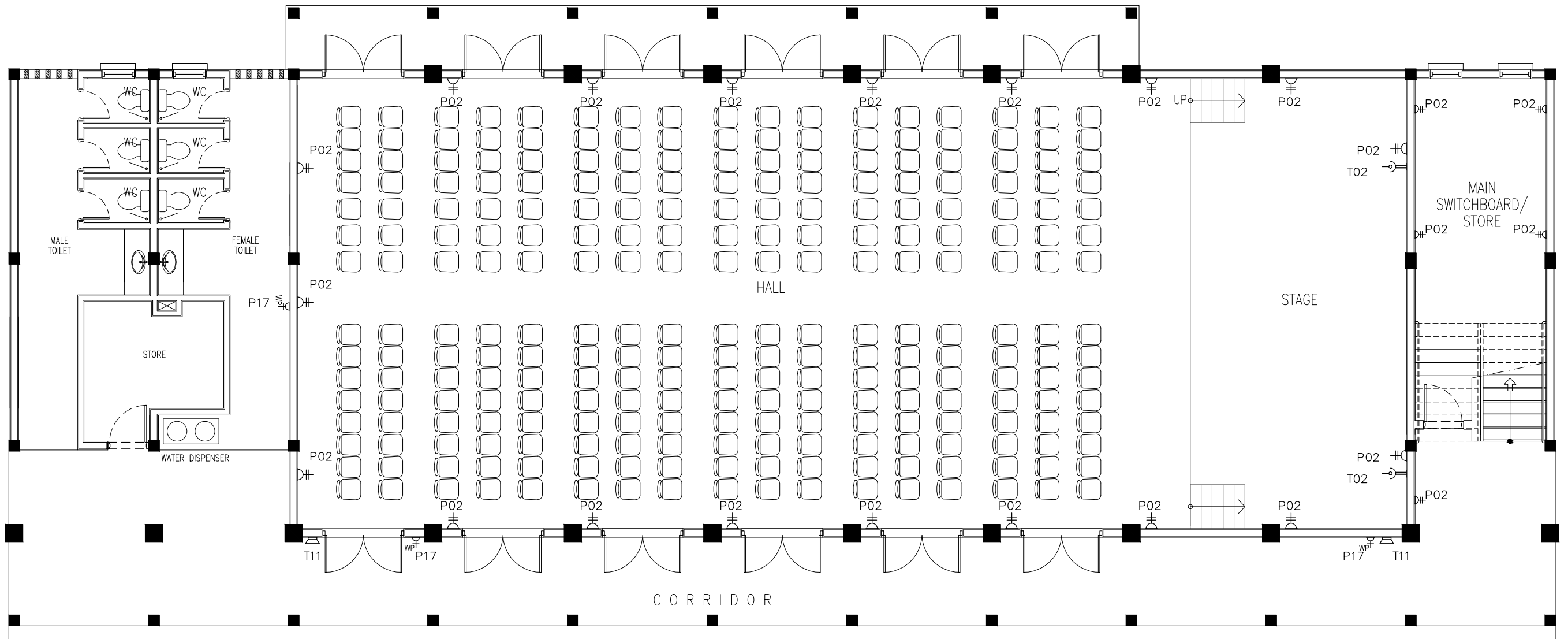
PROJECT: PROPOSED 04 CLASS ROOM & HALL BLOCK (02 STOREY)  
 LOCATION: B. KENDHOO  
 DRAWING TITLE: AS GIVEN  
 CLIENT: MINISTRY OF EDUCATION  
 SCALE: AS GIVEN DIMENSION: MM DATE: MAY 2016

E-02

DWG NO

PROJECT NO.:

CONCEPT AND DESIGN IN THIS DRAWING ARE THE PROPERTIES OF ARCHENG STUDIO PVT LTD. UNAUTHORIZED USE OR REPRODUCTION OF PART OF THE DESIGN, DRAWINGS OR CONCEPT TO USE IN OTHER PROJECTS OR SITES OTHER THAN SPECIFIED ON THIS DRAWING IS PROHIBITED



LEGEND

SYMBOL	CODE	DESCRIPTION
	P01	1 GANG13A SOCKET OUTLET AT 300mm ABOVE FINISHED FLOOR LEVEL
	P02	2 GANG13A SOCKET OUTLET AT 300mm ABOVE FINISHED FLOOR LEVEL
	P15	1 GANG15A SOCKET OUTLET AT CEILING LEVEL
	P16	1 GANG13A SOCKET OUTLET AT CEILING LEVEL
	P17	1 GANG13A SOCKET OUTLET AT 300mm ABOVE FINISHED FLOOR LEVEL (WEATHER PROOF)
	VGA01	VGA CABLE
	P33	DISTRIBUTION BOARD

GROUND FLOOR POWER SOCKET LAYOUT PLAN

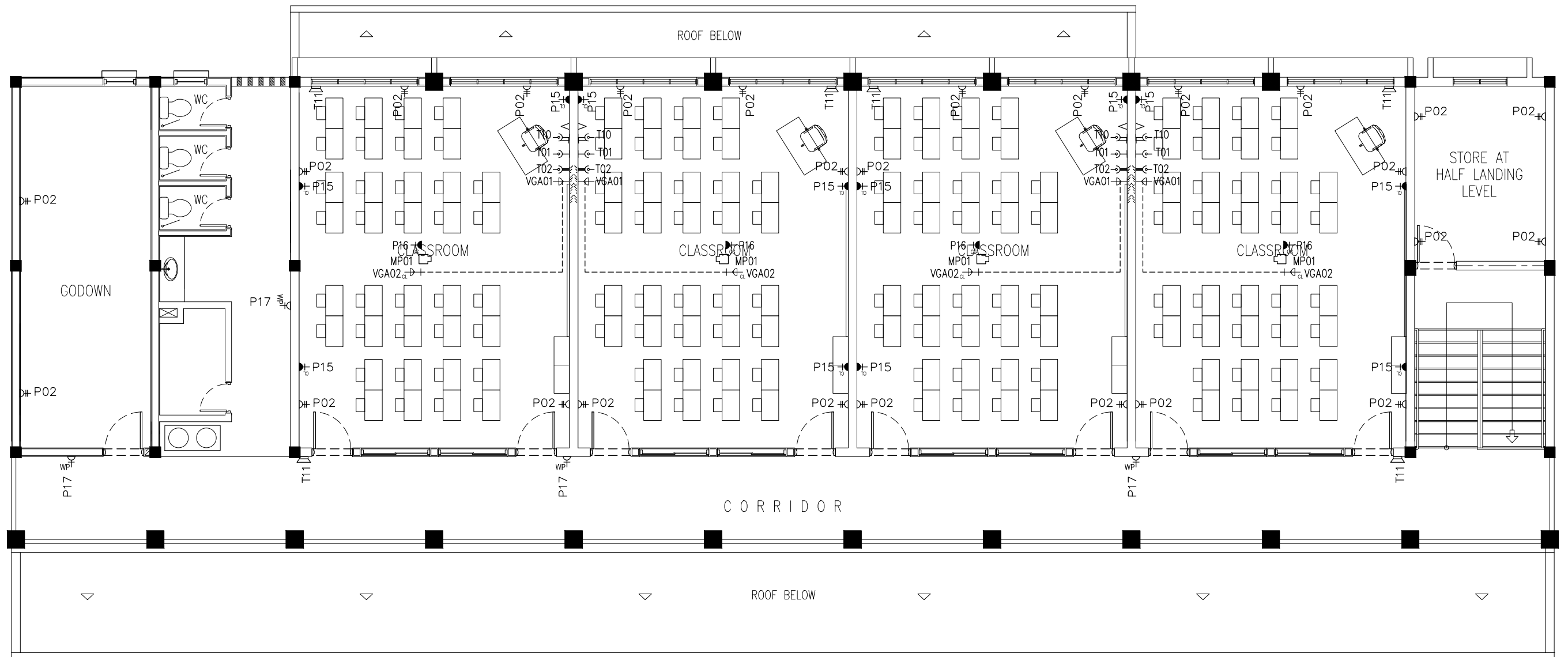
SCALE 1:100

	VGA02	VGA CABLE AT CEILING LEVEL
	T01	PLAIN TELEPHONE OUTLET
	T02	COMPUTER NETWORK OUTLET
	MP01	MULTIMEDIA PROJECTOR
	T10	T.V POINT
	T11	SPEAKER

CONTRACTORS MUST CHECK ALL DIMENSIONS ON SITE BEFORE STARTING ANY WORK OR SHOP DRAWINGS. FIGURED DIMENSIONS TO TAKE PRECEDENCE OVER SCALE READINGS



REVISION:	ARCHITECT: MOHAMED HAMEEN	PROJECT: PROPOSED 04 CLASS ROOM & HALL BLOCK ( 02 STOREY )	<b>E-03</b>
	ENGINEER: MARIYAM SAMAAHU	LOCATION: B. KENDHOO	
	SERVICES ENG:	DRAWING TITLE: AS GIVEN	
	ESTIMATOR:	CLIENT: MINISTRY OF EDUCATION	
	DRAWN BY: ASFAN AHMED	SCALE: AS GIVEN   DIMENSION: MM   DATE: MAY 2016	
CONCEPT AND DESIGN IN THIS DRAWING ARE THE PROPERTIES OF ARCHENG STUDIO PVT LTD. UNAUTHORIZED USE OR REPRODUCTION OF PART OF THE DESIGN, DRAWINGS OR CONCEPT TO USE IN OTHER PROJECTS OR SITES OTHER THAN SPECIFIED ON THIS DRAWING IS PROHIBITED			DWG NO: PROJECT NO.:



### 1ST FLOOR POWER SOCKET LAYOUT PLAN

SCALE 1:100

#### LEGEND

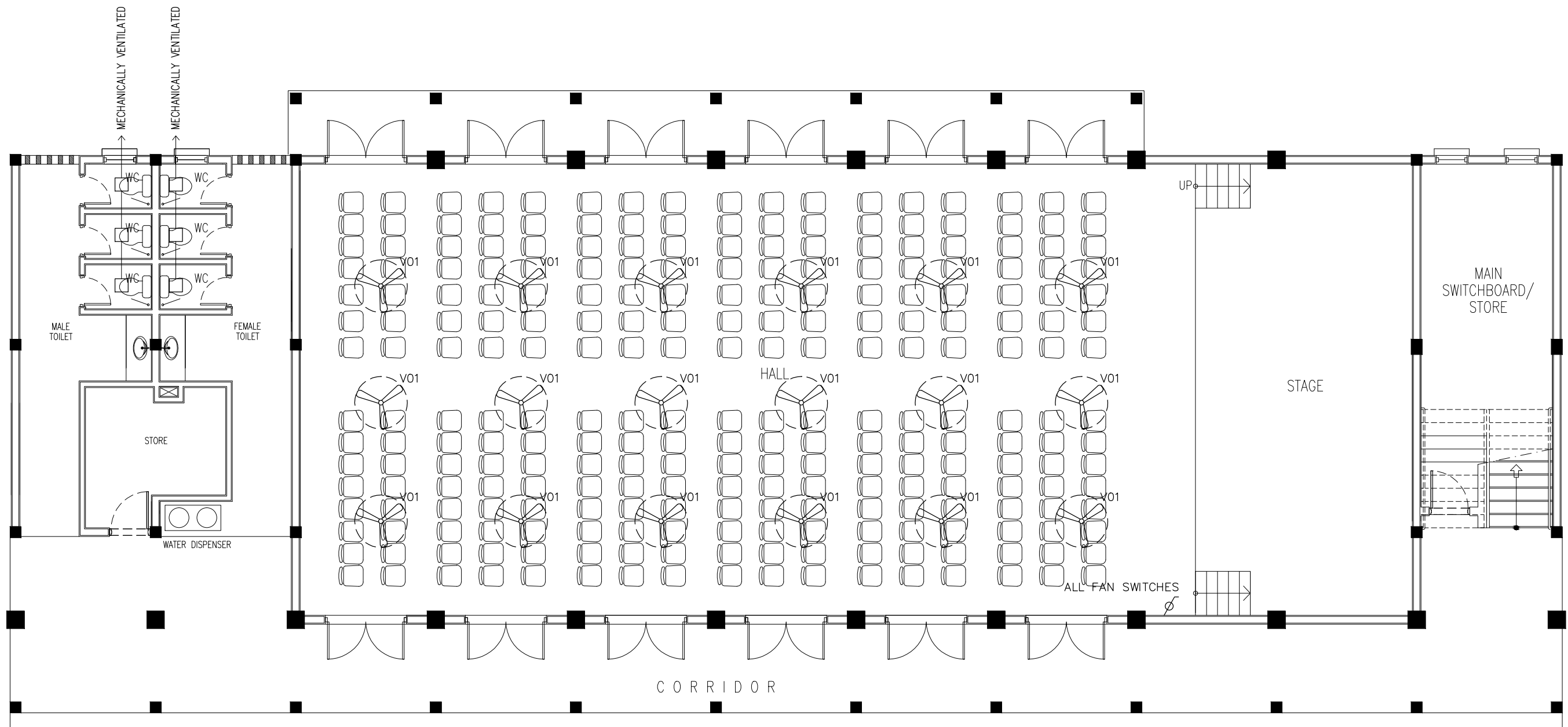
SYMBOL	CODE	DESCRIPTION
	P01	1 GANG13A SOCKET OUTLET AT 300mm ABOVE FINISHED FLOOR LEVEL
	P02	2 GANG13A SOCKET OUTLET AT 300mm ABOVE FINISHED FLOOR LEVEL
	P15	1 GANG15A SOCKET OUTLET AT CEILING LEVEL
	P16	1 GANG13A SOCKET OUTLET AT CEILING LEVEL
	P17	1 GANG13A SOCKET OUTLET AT 300mm ABOVE FINISHED FLOOR LEVEL (WEATHER PROOF)
	VGA01	VGA CABLE
	P33	DISTRIBUTION BOARD

	VGA02	VGA CABLE AT CEILING LEVEL
	T01	PLAIN TELEPHONE OUTLET
	T02	COMPUTER NETWORK OUTLET
	MP01	MULTIMEDIA PROJECTOR
	T10	T.V POINT
	T11	SPEAKER

CONTRACTORS MUST CHECK ALL DIMENSIONS ON SITE BEFORE STARTING ANY WORK OR SHOP DRAWINGS. FIGURED DIMENSIONS TO TAKE PRECEDENCE OVER SCALE READINGS



REVISION:	ARCHITECT: MOHAMED HAMEEN	PROJECT: PROPOSED 04 CLASS ROOM & HALL BLOCK ( 02 STOREY )
	ENGINEER: MARIYAM SAMAAHU	LOCATION: B. KENDHOO
	SERVICES ENG: AS GIVEN	DRAWING TITLE: AS GIVEN
	ESTIMATOR:	CLIENT: MINISTRY OF EDUCATION
	DRAWN BY: ASFAN AHMED	SCALE: AS GIVEN DIMENSION: MM DATE: MAY 2016
CONCEPT AND DESIGN IN THIS DRAWING ARE THE PROPERTIES OF ARCHENG STUDIO PVT LTD. UNAUTHORIZED USE OR REPRODUCTION OF PART OF THE DESIGN, DRAWINGS OR CONCEPT TO USE IN OTHER PROJECTS OR SITES OTHER THAN SPECIFIED ON THIS DRAWING IS PROHIBITED		<b>E-04</b>
		DWG NO
		PROJECT NO.:



LEGEND

	P23	FAN / LIGHT DIMMER SWITCH
	V01b	DIA. 1200 CEILING FAN

GROUND FLOOR FAN LAYOUT PLAN

SCALE 1:100

CONTRACTORS MUST CHECK ALL DIMENSIONS ON SITE BEFORE STARTING ANY WORK OR SHOP DRAWINGS. FIGURED DIMENSIONS TO TAKE PRECEDENCE OVER SCALE READINGS



REVISION:

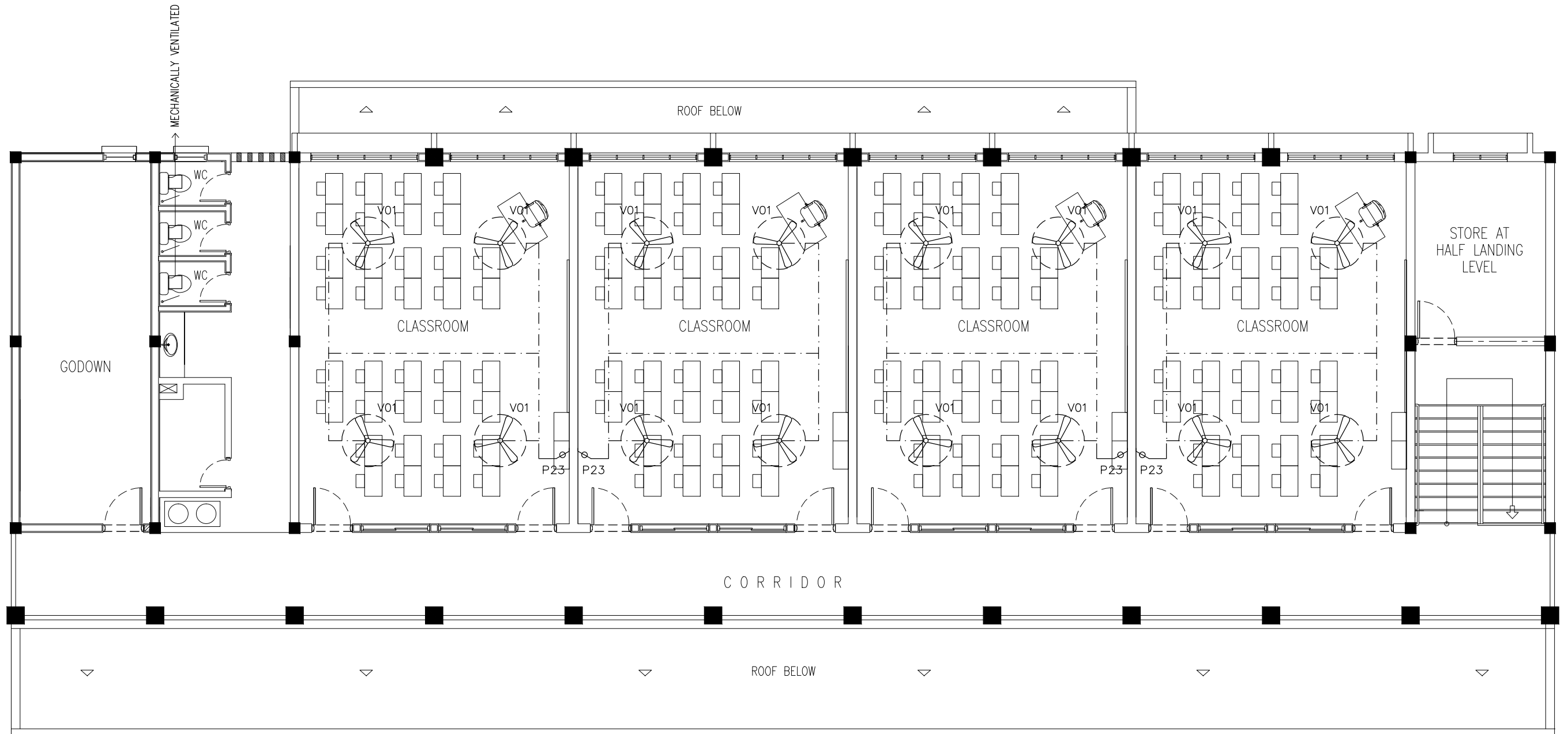
ARCHITECT: MOHAMED HAMEEN  
 ENGINEER: MARIYAM SAMAAHU  
 SERVICES ENG:  
 ESTIMATOR:  
 DRAWN BY: ASFAN AHMED

PROJECT: PROPOSED 04 CLASS ROOM & HALL BLOCK ( 02 STOREY )  
 LOCATION: B. KENDHOO  
 DRAWING TITLE: AS GIVEN  
 CLIENT: MINISTRY OF EDUCATION  
 SCALE: AS GIVEN    DIMENSION: MM    DATE: MAY 2016


**E-05**

DWG NO

PROJECT NO.:



LEGEND

$\phi$	P23	FAN / LIGHT DIMMER SWITCH
	V01b	DIA. 1200 CEILING FAN

1ST FLOOR FAN LAYOUT PLAN

SCALE 1:100

CONTRACTORS MUST CHECK ALL DIMENSIONS ON SITE BEFORE STARTING ANY WORK OR SHOP DRAWINGS. FIGURED DIMENSIONS TO TAKE PRECEDENCE OVER SCALE READINGS



REVISION:

ARCHITECT: MOHAMED HAMEEN  
ENGINEER: MARIYAM SAMAAHU  
SERVICES ENG:  
ESTIMATOR:  
DRAWN BY: ASFAN AHMED

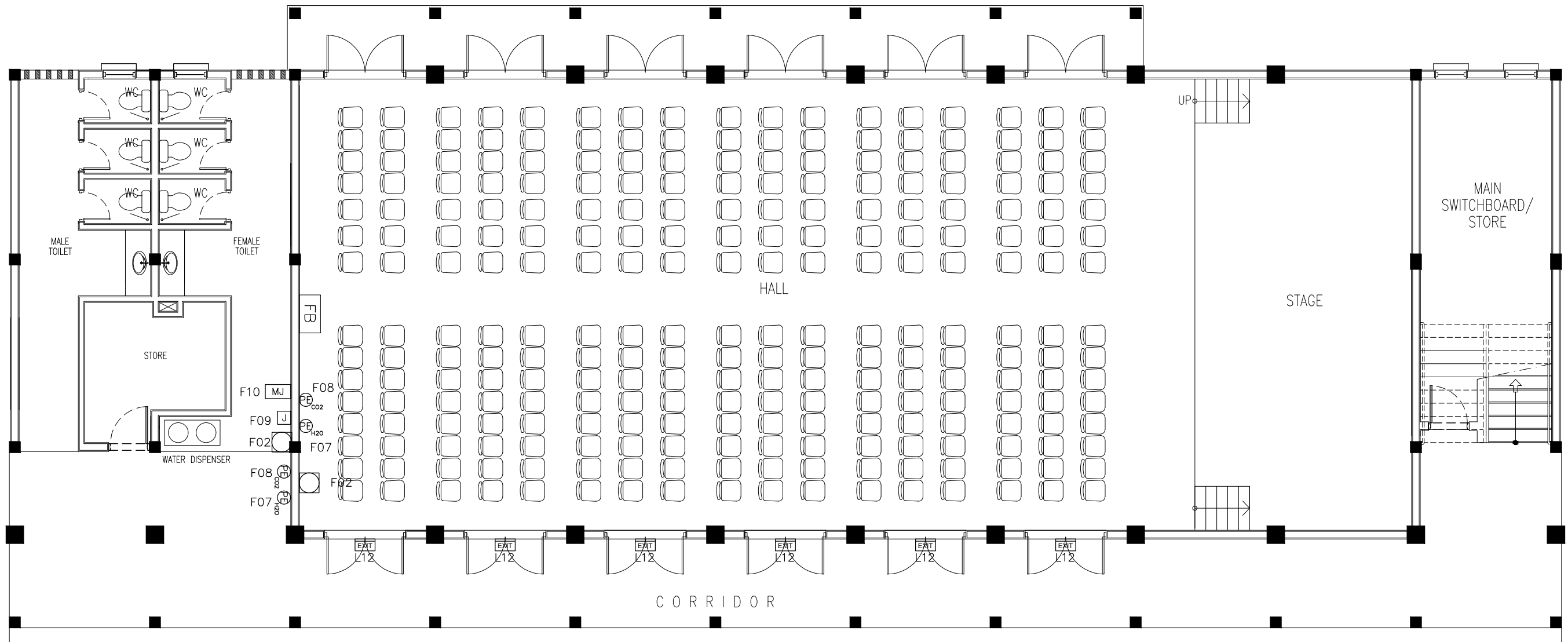
PROJECT: PROPOSED 04 CLASS ROOM & HALL BLOCK ( 02 STOREY )  
LOCATION: B. KENDHOO  
DRAWING TITLE: AS GIVEN  
CLIENT: MINISTRY OF EDUCATION  
SCALE: AS GIVEN DIMENSION: MM DATE: MAY 2016

E-06

DWG NO

PROJECT NO.:

CONCEPT AND DESIGN IN THIS DRAWING ARE THE PROPERTIES OF ARCHENG STUDIO PVT.LTD. UNAUTHORIZED USE OR REPRODUCTION OF PART OF THE DESIGN DRAWINGS OR CONCEPT TO USE IN OTHER PROJECTS OR SITES OTHER THAN SPECIFIED ON THIS DRAWING IS PROHIBITED



**FIRE SAFETY LEGEND**

SYMBOL	CODE	DESCRIPTION
□	F02	BREAK GLASS MANUAL CALL POINT
⊙	F03	SMOKE DETECTOR
⊕	F05	FIRE ALARM BELL
⊕ <sub>H2O</sub>	F07	PORTABLE EXTINGUISHER (H2O)
⊕ <sub>CO2</sub>	F08	PORTABLE EXTINGUISHER (CO2)
⊠	F06	JUNCTION BOX
⊠ <sub>MJ</sub>	F09	CONVENTIONAL FIRE ALARM PANEL
EXIT	L12	EXIT SIGN

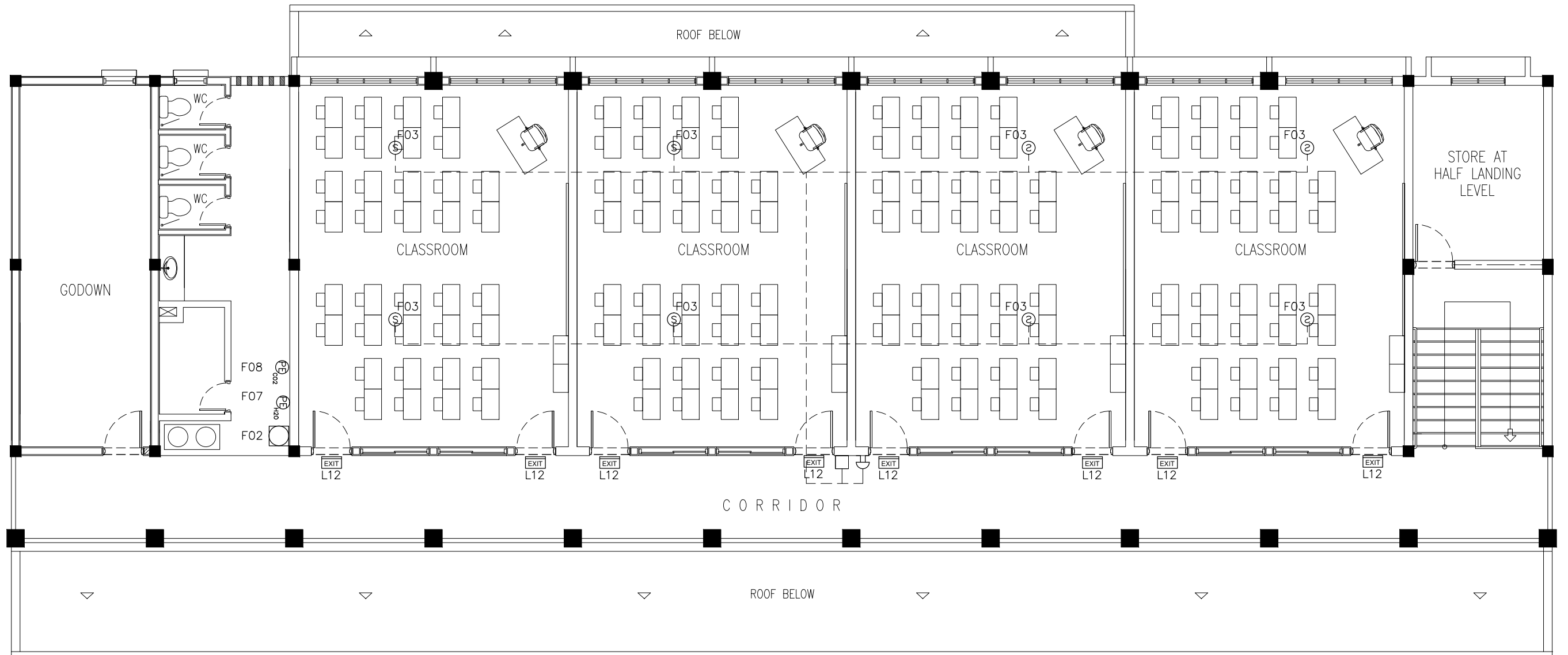
NOTE: ALL FIRE RESISTANT CABLES SHALL BE ENCLOSED IN PVC CONDUITE

CONTRACTORS MUST CHECK ALL DIMENSIONS ON SITE BEFORE STARTING ANY WORK OR SHOP DRAWINGS, FIGURED DIMENSIONS TO TAKE PRECEDENCE OVER SCALE READINGS



**GROUND FLOOR FIRE SAFETY PLAN**  
SCALE 1:100

REVISION:	ARCHITECT: MOHAMED HAMEEN	PROJECT: PROPOSED 04 CLASS ROOM & HALL BLOCK ( 02 STOREY )	<b>F-01</b> DWG NO
	ENGINEER: MARIYAM SAMAAHU	LOCATION: B. KENDHOO	
	SERVICES ENG:	DRAWING TITLE: AS GIVEN	
	ESTIMATOR:	CLIENT: MINISTRY OF EDUCATION	
	DRAWN BY: ASFAN AHMED	SCALE: AS GIVEN   DIMENSION: MM   DATE: MAY 2016	
CONCEPT AND DESIGN IN THIS DRAWING ARE THE PROPERTIES OF ARCHENG STUDIO PVT LTD. UNAUTHORIZED USE OR REPRODUCTION OF PART OF THE DESIGN, DRAWINGS OR CONCEPT TO USE IN OTHER PROJECTS OR SITES OTHER THAN SPECIFIED ON THIS DRAWING IS PROHIBITED			PROJECT NO.:



**FIRE SAFETY LEGEND**

SYMBOL	CODE	DESCRIPTION
	F02	BREAK GLASS MANUAL CALL POINT
	F03	SMOKE DETECTOR
	F05	FIRE ALARM BELL
	F07	PORTABLE EXTINGUISHER (H2O)
	F08	PORTABLE EXTINGUISHER (CO2)
	F06	JUNCTION BOX
	F09	CONVENTIONAL FIRE ALARM PANEL
	L12	EXIT SIGN

NOTE: ALL FIRE RESISTANT CABLES SHALL BE ENCLOSED IN PVC CONDUITE

CONTRACTORS MUST CHECK ALL DIMENSIONS ON SITE BEFORE STARTING ANY WORK OR SHOP DRAWINGS, FIGURED DIMENSIONS TO TAKE PRECEDENCE OVER SCALE READINGS

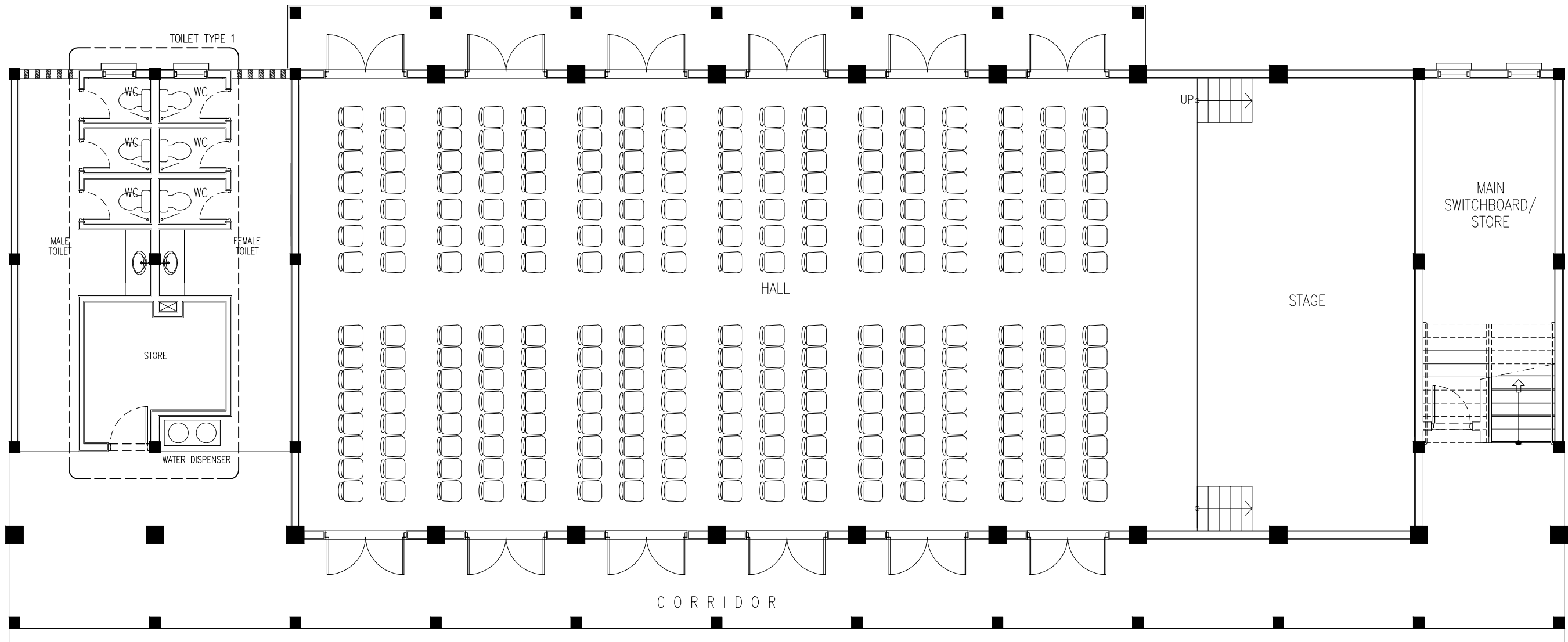


REVISION:	ARCHITECT: MOHAMED HAMEEN	PROJECT: PROPOSED 04 CLASS ROOM & HALL BLOCK ( 02 STOREY )	<b>F-02</b>
	ENGINEER: MARIYAM SAMAAHU	LOCATION: B. KENDHOO	
	SERVICES ENG:	DRAWING TITLE: AS GIVEN	
	ESTIMATOR:	CLIENT: MINISTRY OF EDUCATION	
	DRAWN BY: ASFAN AHMED	SCALE: AS GIVEN   DIMENSION: MM   DATE: MAY 2016	
CONCEPT AND DESIGN IN THIS DRAWING ARE THE PROPERTIES OF ARCHENG STUDIO PVT LTD. UNAUTHORIZED USE OR REPRODUCTION OF PART OF THE DESIGN, DRAWINGS OR CONCEPT TO USE IN OTHER PROJECTS OR SITES OTHER THAN SPECIFIED ON THIS DRAWING IS PROHIBITED			DWG NO: PROJECT NO.:

**1ST FLOOR FIRE SAFETY PLAN**

SCALE 1:100





CONTRACTORS MUST CHECK ALL DIMENSIONS ON SITE BEFORE STARTING ANY WORK OR SHOP DRAWINGS. FIGURED DIMENSIONS TO TAKE PRECEDENCE OVER SCALE READINGS

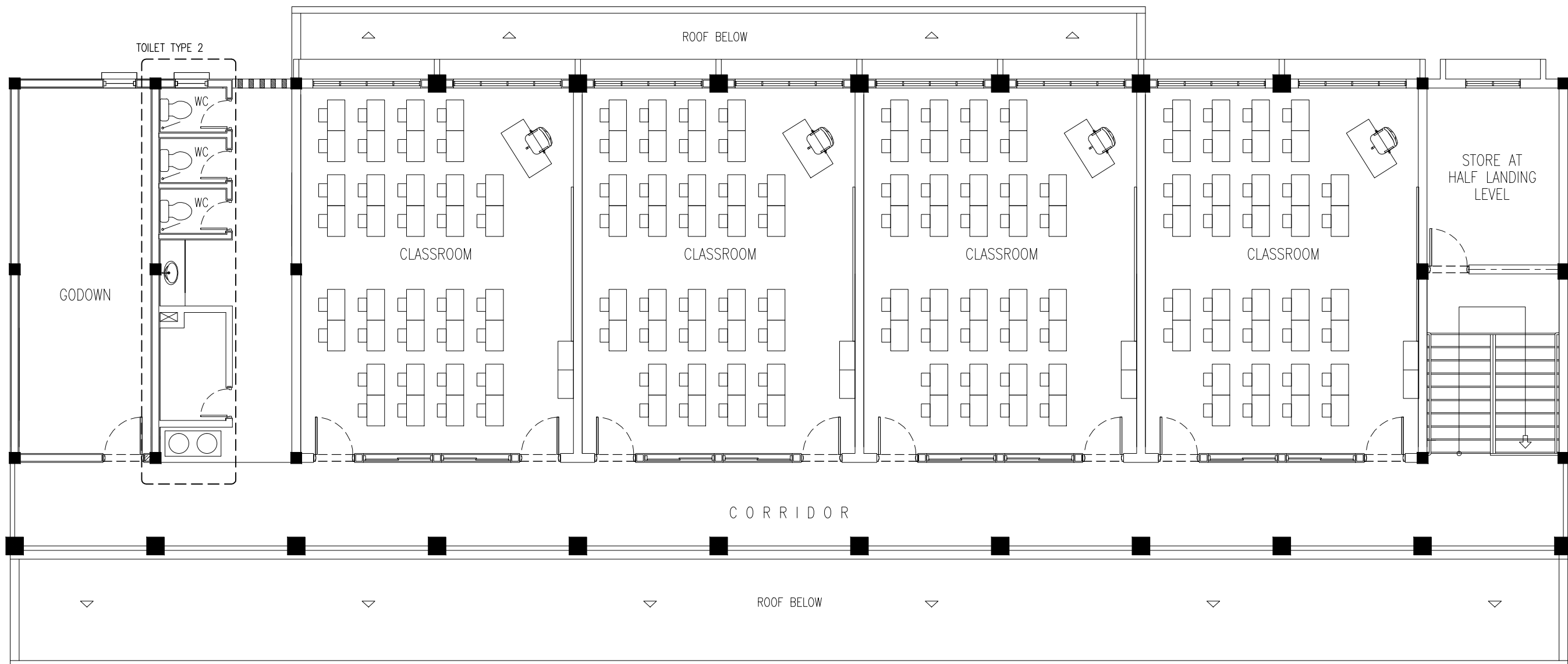


REVISION:	ARCHITECT: MOHAMED HAMEEN
	ENGINEER: MARIYAM SAMAAHU
	SERVICES ENG:
	ESTIMATOR:
	DRAWN BY: ASFAN AHMED

PROJECT: PROPOSED 04 CLASS ROOM & HALL BLOCK ( 02 STOREY )
LOCATION: B. KENDHOO
DRAWING TITLE: AS GIVEN
CLIENT: MINISTRY OF EDUCATION
SCALE: AS GIVEN

DIMENSION: MM	DATE: MAY 2016
---------------	----------------

<b>P-01</b>
DWG NO
PROJECT NO.:



CONTRACTORS MUST CHECK ALL DIMENSIONS ON SITE BEFORE STARTING ANY WORK OR SHOP DRAWINGS, FIGURED DIMENSIONS TO TAKE PRECEDENCE OVER SCALE READINGS

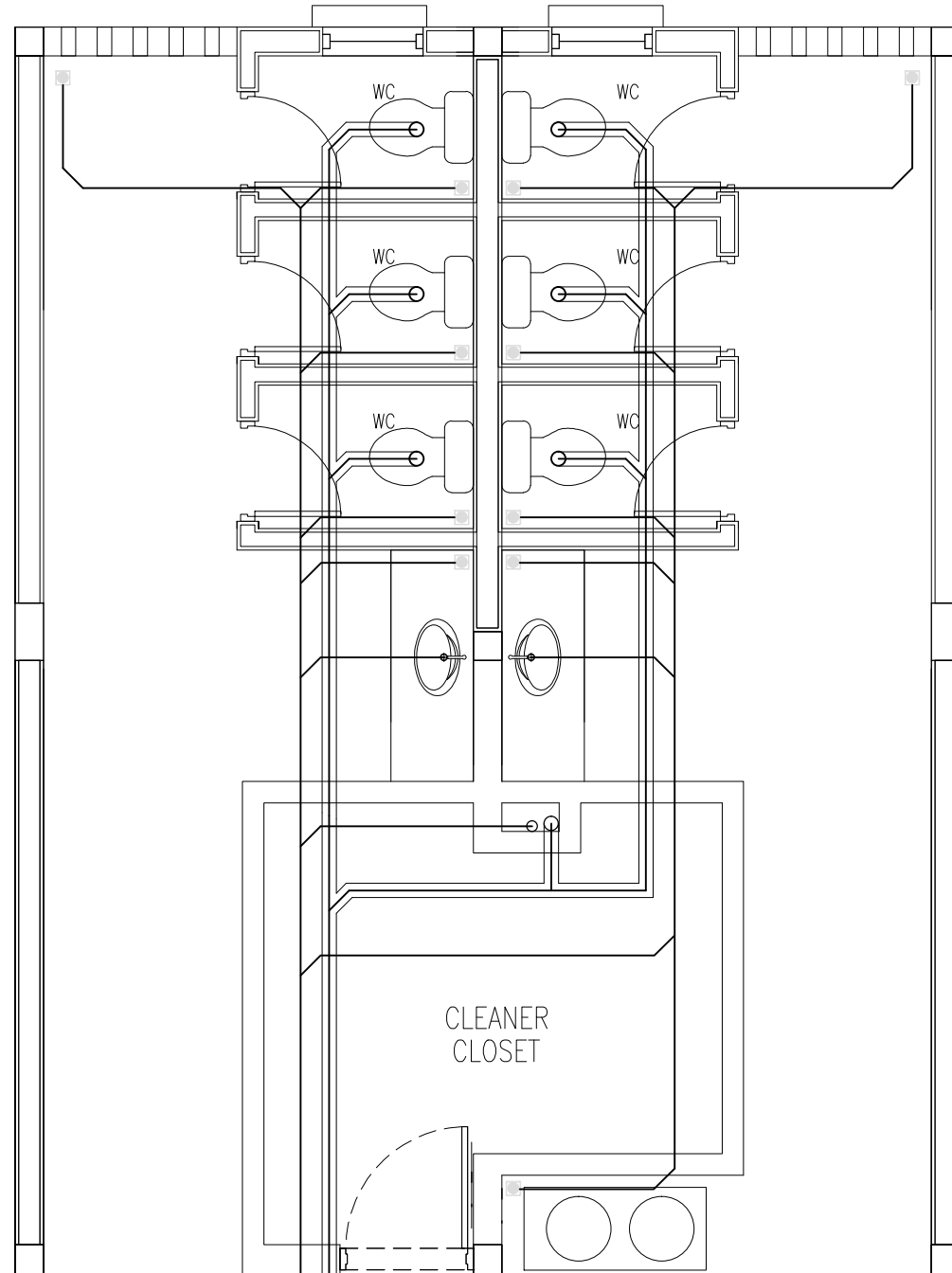


REVISION:	

ARCHITECT:	MOHAMED HAMEEN
ENGINEER:	MARIYAM SAMAAHU
SERVICES ENG:	
ESTIMATOR:	
DRAWN BY:	ASFAN AHMED

PROJECT:	PROPOSED 04 CLASS ROOM & HALL BLOCK ( 02 STOREY )		
LOCATION:	B. KENDHOO		
DRAWING TITLE:	AS GIVEN		
CLIENT:	MINISTRY OF EDUCATION		
SCALE:	AS GIVEN	DIMENSION:	MM
		DATE:	MAY 2016

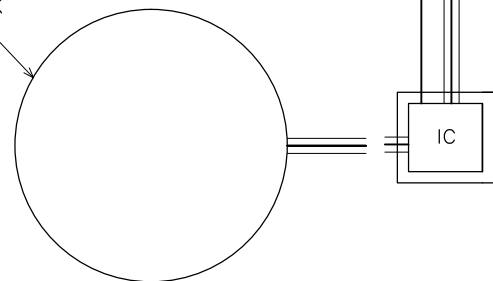
**P-02**  
DWG NO.  
PROJECT NO.:



LEGEND

SYMBOL	DESCRIPTION
	TAP
	MUSLIM SHOWER
	MWSC WATER SUPPLY (ø12-ø35)
	FLOOR DRAIN
	UPVC HIGH PRESSURE WASTE WATER PIPE (ø75-ø100)
	SEWAGE DISPOSAL (ø100)
	INSPECTION CHAMBER

ø1.8M SOAP PIT TANK



**SEWAGE AND WASTE DISPOSAL  
PLAN (TOILET TYPE 1)**  
SCALE 1:50

NOTE: TO BE DETERMINED  
ON SITE

CONTRACTORS MUST  
CHECK ALL  
DIMENSIONS ON SITE  
BEFORE STARTING  
ANY WORK OR SHOP  
DRAWINGS. FIGURED  
DIMENSIONS TO TAKE  
PRECEDENCE OVER  
SCALE READINGS



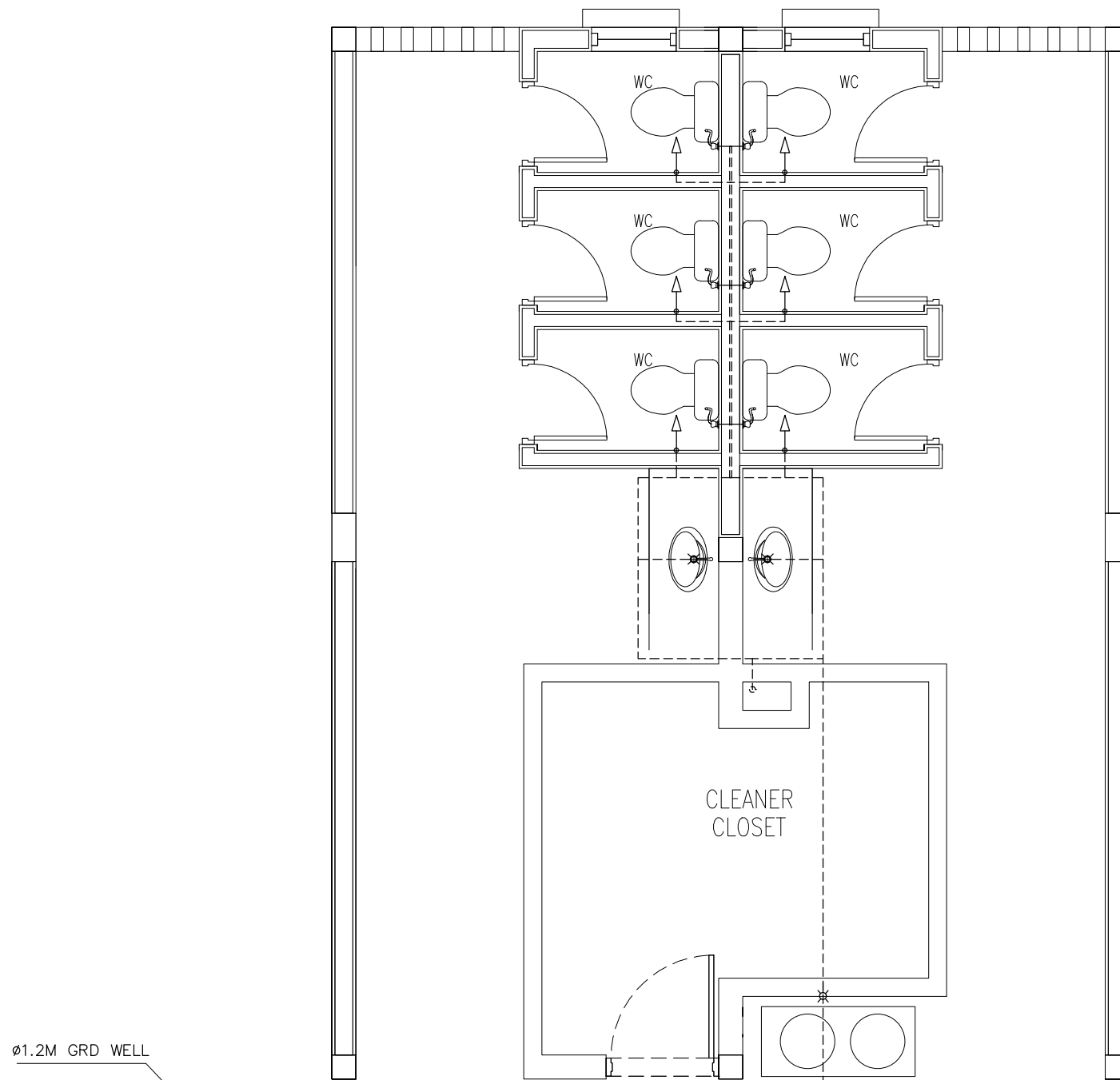
REVISION:	

ARCHITECT:	MOHAMED HAMEEN
ENGINEER:	MARIYAM SAMAAHU
SERVICES ENG:	
ESTIMATOR:	
DRAWN BY:	ASFAN AHMED

PROJECT:	PROPOSED 04 CLASS ROOM & HALL BLOCK ( 02 STOREY )		
LOCATION:	B. KENDHOO		
DRAWING TITLE:	AS GIVEN		
CLIENT:	MINISTRY OF EDUCATION		
SCALE:	AS GIVEN	DIMENSION: MM	DATE: MAY 2016

**P-03**

DWG NO.  
PROJECT NO.:



LEGEND

SYMBOL	DESCRIPTION
	TAP
	MUSLIM SHOWER
	MWSC WATER SUPPLY (ø12-ø35)
	FLOOR DRAIN
	UPVC HIGH PRESSURE WASTE WATER PIPE (ø75-ø100)
	SEWAGE DISPOSAL (ø100)
	INSPECTION CHAMBER

ø1.2M GRD WELL

NOTE: TO BE DETERMINED ON SITE

**FRESH WATER SUPPLY PLAN  
(TOILET TYPE 1)**

SCALE 1:50

CONTRACTORS MUST CHECK ALL DIMENSIONS ON SITE BEFORE STARTING ANY WORK OR SHOP DRAWINGS. FIGURED DIMENSIONS TO TAKE PRECEDENCE OVER SCALE READINGS



REVISION:

ARCHITECT: MOHAMED HAMEEN

PROJECT: PROPOSED 04 CLASS ROOM & HALL BLOCK ( 02 STOREY )

ENGINEER: MARIYAM SAMAAHU

LOCATION: B. KENDHOO

SERVICES ENG:

DRAWING TITLE: AS GIVEN

ESTIMATOR:

CLIENT: MINISTRY OF EDUCATION

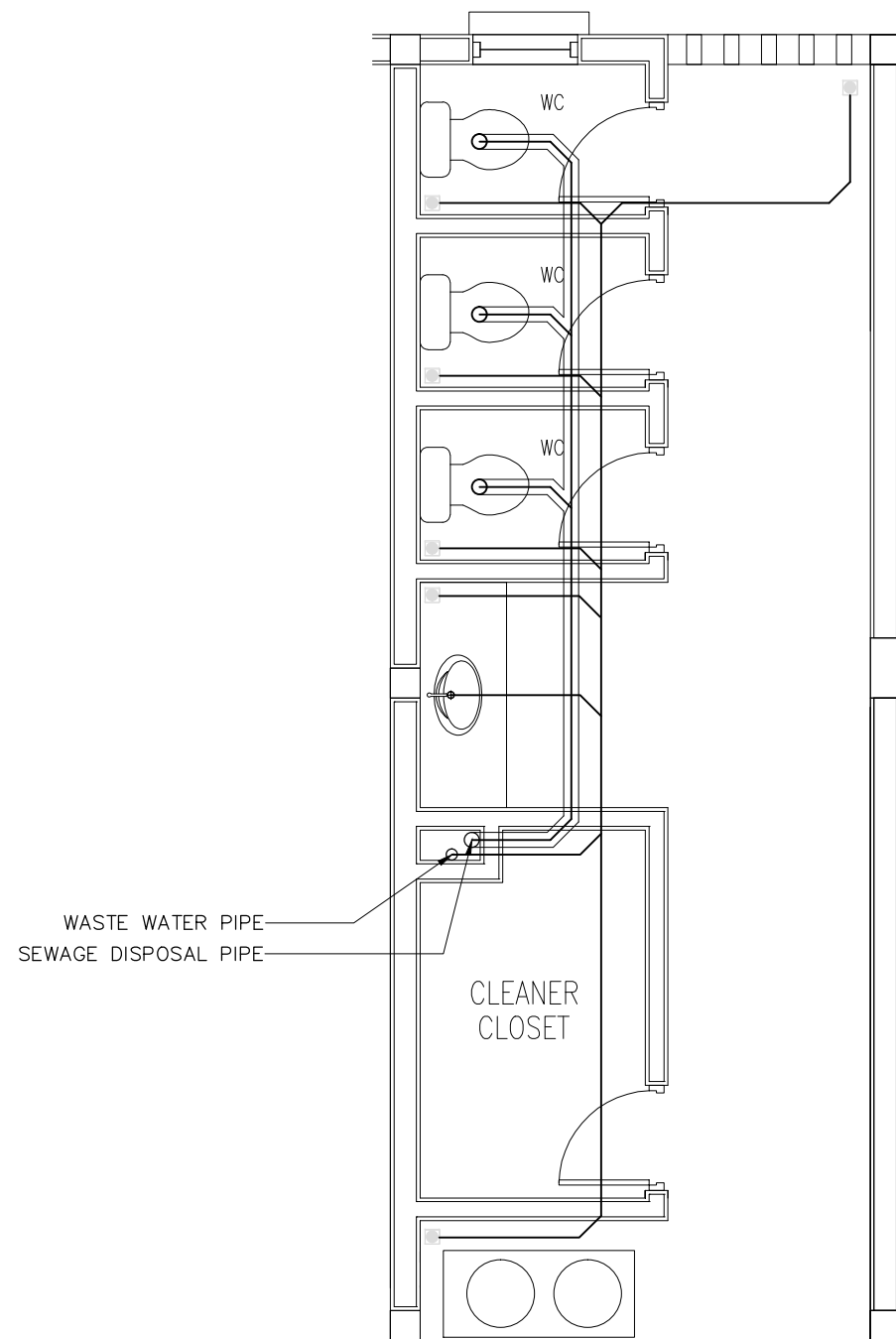
DRAWN BY: ASFAN AHMED

SCALE: AS GIVEN | DIMENSION: MM | DATE: MAY 2016

**P-04**

DWG NO

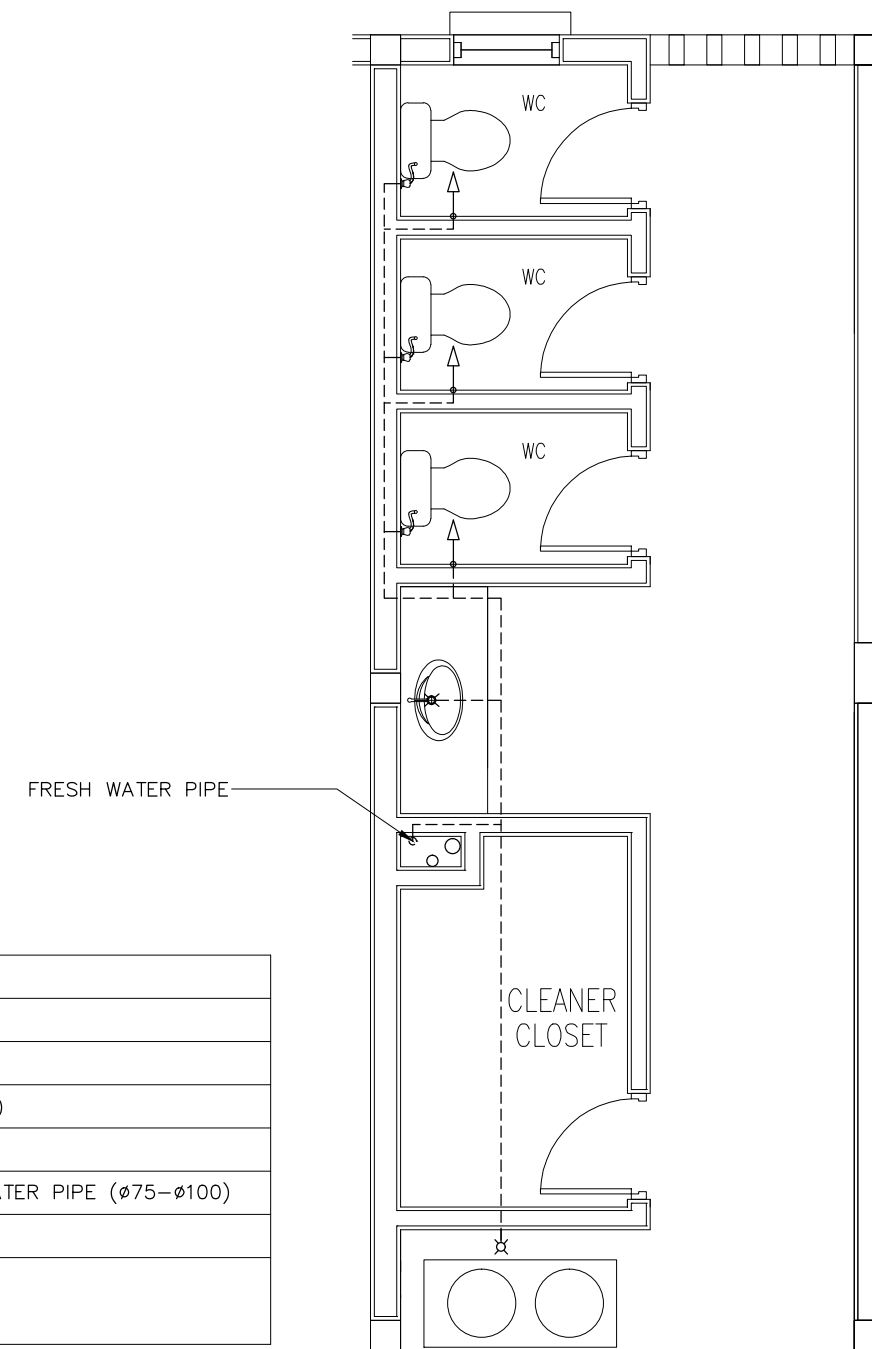
PROJECT NO.:



**SEWAGE AND WASTE DISPOSAL  
PLAN (TOILET TYPE 1)**  
SCALE 1:50

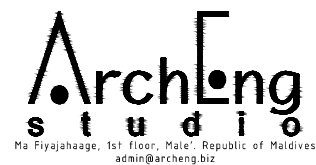
LEGEND

SYMBOL	DESCRIPTION
	TAP
	MUSLIM SHOWER
	MWSC WATER SUPPLY (ø12-ø35)
	FLOOR DRAIN
	UPVC HIGH PRESSURE WASTE WATER PIPE (ø75-ø100)
	SEWAGE DISPOSAL (ø100)
	INSPECTION CHAMBER



**FRESH WATER SUPPLY PLAN  
(TOILET TYPE 1)**  
SCALE 1:50

CONTRACTORS MUST  
CHECK ALL  
DIMENSIONS ON SITE  
BEFORE STARTING  
ANY WORK OR SHOP  
DRAWINGS. FIGURED  
DIMENSIONS TO TAKE  
PRECEDENCE OVER  
SCALE READINGS



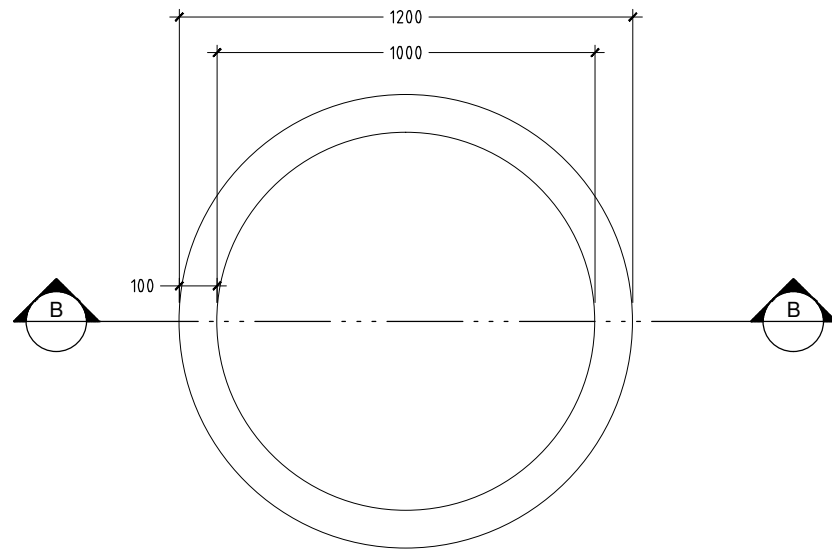
REVISION:

ARCHITECT: MOHAMED HAMEEN  
ENGINEER: MARIYAM SAMAAHU  
SERVICES ENG:  
ESTIMATOR:  
DRAWN BY: ASFAN AHMED

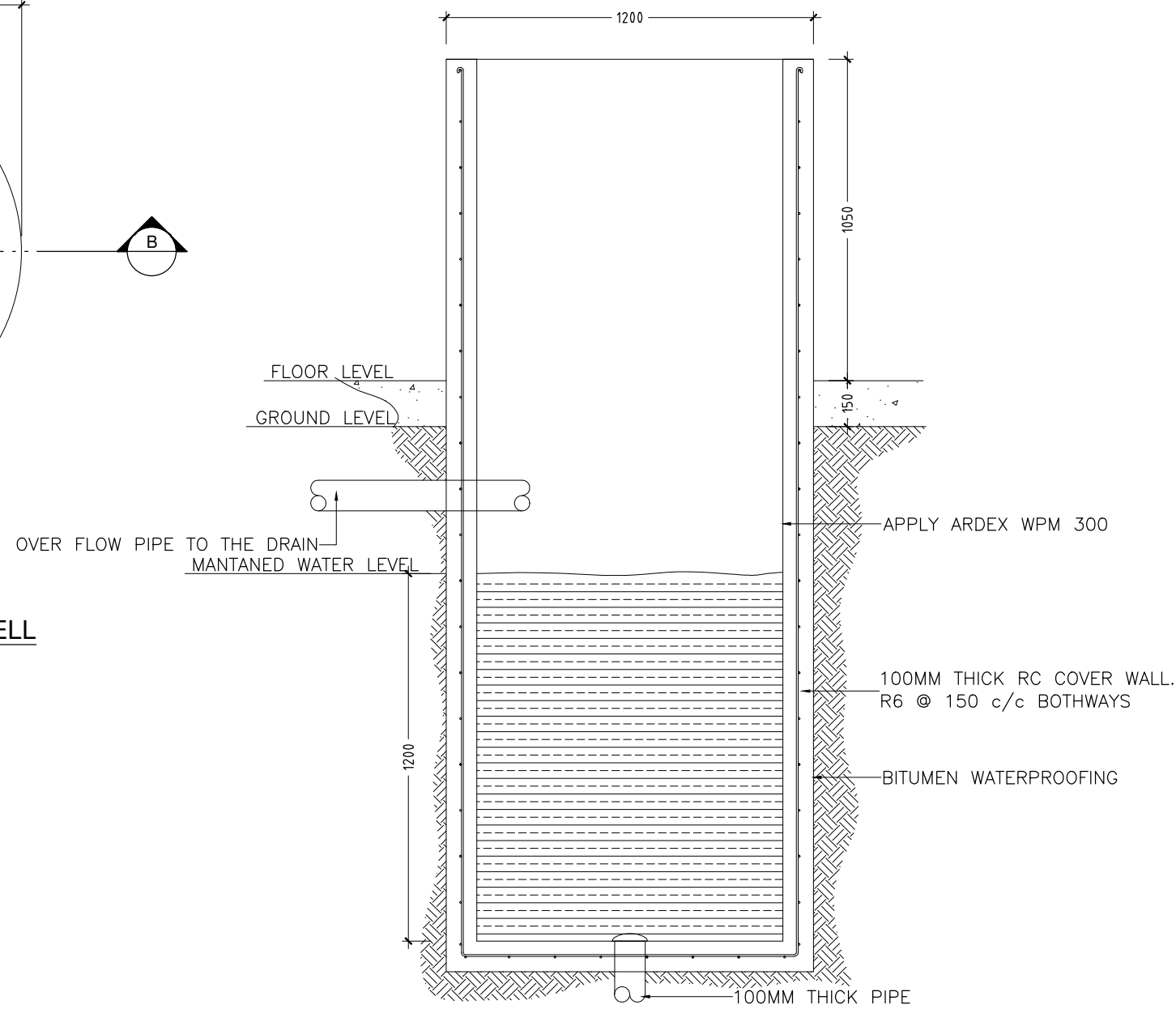
PROJECT: PROPOSED 04 CLASS ROOM & HALL BLOCK ( 02 STOREY )  
LOCATION: B, KENDHOO  
DRAWING TITLE: AS GIVEN  
CLIENT: MINISTRY OF EDUCATION  
SCALE: AS GIVEN DIMENSION: MM DATE: MAY 2016

**P-05**  
DWG NO:  
PROJECT NO.:

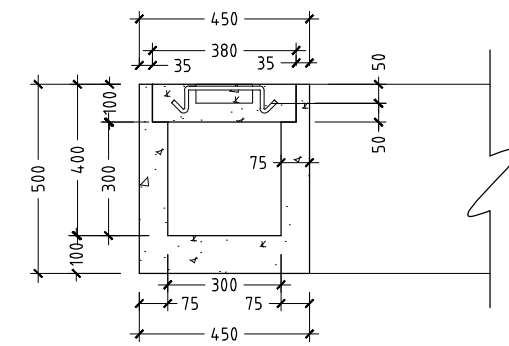
CONCEPT AND DESIGN IN THIS DRAWING ARE THE PROPERTIES OF ARCHENG STUDIO PVT LTD. UNAUTHORIZED USE OR REPRODUCTION OF PART OF THE DESIGN, DRAWINGS OR CONCEPT TO USE IN OTHER PROJECTS OR SITES OTHER THAN SPECIFIED ON THIS DRAWING IS PROHIBITED



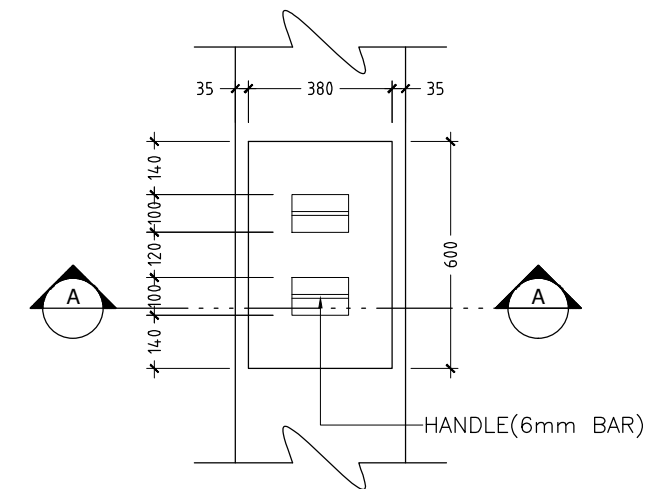
**DETAIL B/ PLAN VIEW OF WELL**  
SCALE 1 : 20



**DETAIL B/ SECTION A-A OF WELL**  
SCALE 1 : 20



**DETAIL A/ SECTION A-A**  
SCALE 1 : 20

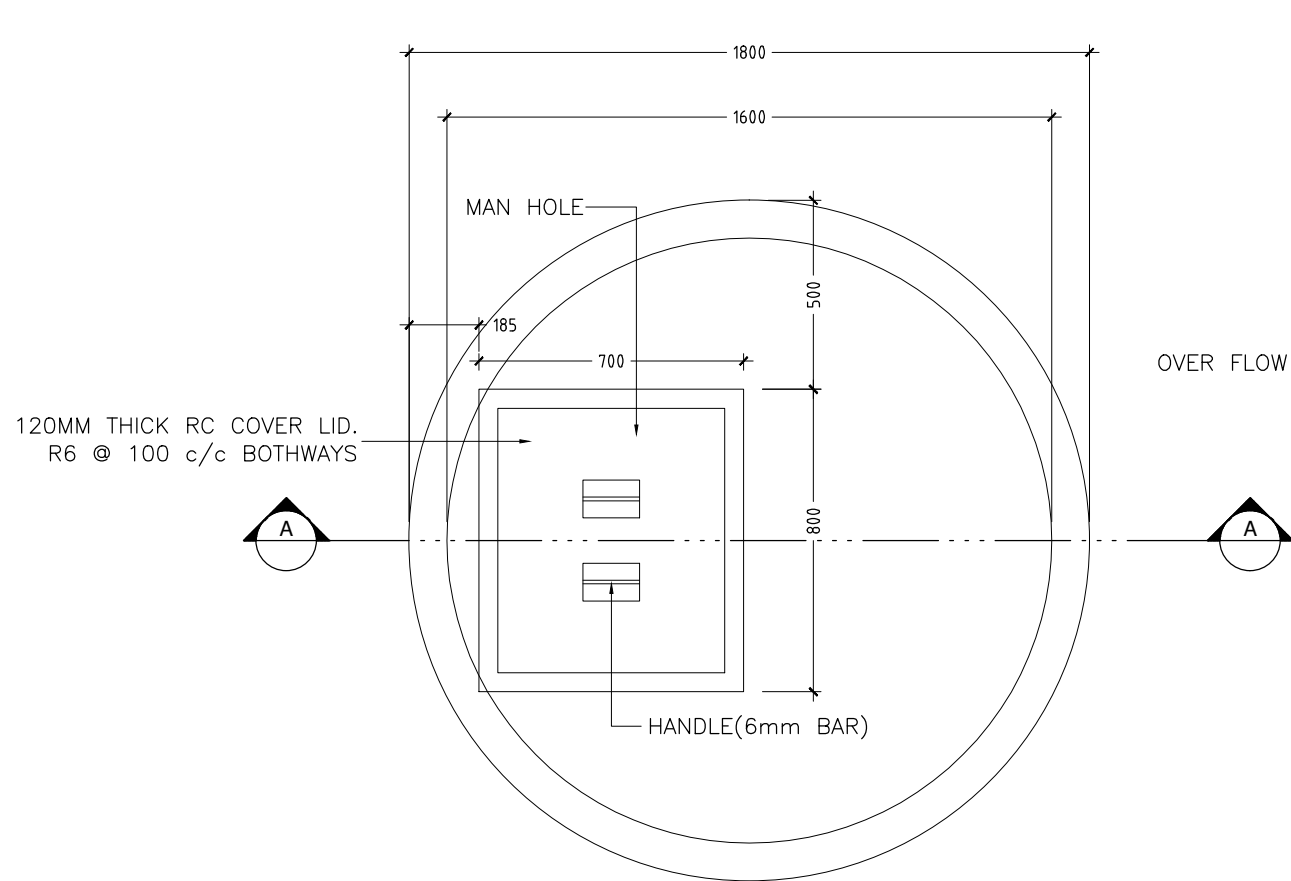


**DETAIL A / PLAN VIEW OF INSPECTION POINT**  
SCALE 1 : 20

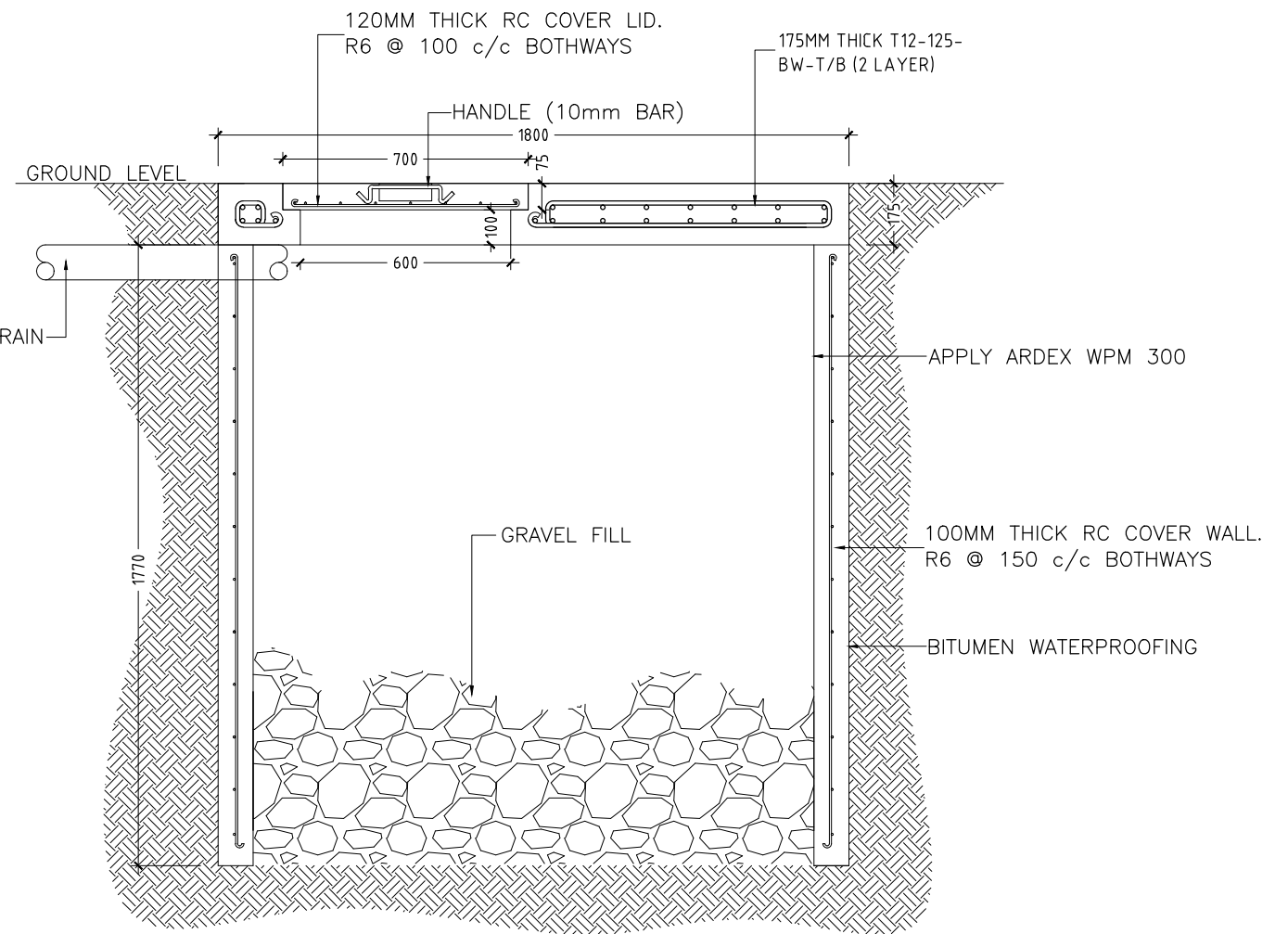
CONTRACTORS MUST CHECK ALL DIMENSIONS ON SITE BEFORE STARTING ANY WORK OR SHOP DRAWINGS. FIGURED DIMENSIONS TO TAKE PRECEDENCE OVER SCALE READINGS



REVISION:	ARCHITECT: MOHAMED HAMEEN	PROJECT: PROPOSED 04 CLASS ROOM & HALL BLOCK ( 02 STOREY )	<b>P-06</b>
	ENGINEER: MARIYAM SAMAAHU	LOCATION: B. KENDHOO	
	SERVICES ENG:	DRAWING TITLE: AS GIVEN	
	ESTIMATOR:	CLIENT: MINISTRY OF EDUCATION	
	DRAWN BY: ASFAN AHMED	SCALE: AS GIVEN   DIMENSION: MM   DATE: MAY 2016	
CONCEPT AND DESIGN IN THIS DRAWING ARE THE PROPERTIES OF ARCHENG STUDIO PVT LTD. UNAUTHORIZED USE OR REPRODUCTION OF PART OF THE DESIGN, DRAWINGS OR CONCEPT TO USE IN OTHER PROJECTS OR SITES OTHER THAN SPECIFIED ON THIS DRAWING IS PROHIBITED			



**DETAIL A/ PLAN VIEW OF SOAK PIT TANK**  
SCALE 1 : 20



**DETAIL A/ SECTION A-A OF SOAK PIT TANK**  
SCALE 1 : 20

CONTRACTORS MUST CHECK ALL DIMENSIONS ON SITE BEFORE STARTING ANY WORK OR SHOP DRAWINGS. FIGURED DIMENSIONS TO TAKE PRECEDENCE OVER SCALE READINGS



REVISION:	ARCHITECT: MOHAMED HAMEEN	PROJECT: PROPOSED 04 CLASS ROOM & HALL BLOCK ( 02 STOREY )	<b>P-07</b>
	ENGINEER: MARIYAM SAMAAHU	LOCATION: B. KENDHOO	
	SERVICES ENG:	DRAWING TITLE: AS GIVEN	
	ESTIMATOR:	CLIENT: MINISTRY OF EDUCATION	
	DRAWN BY: ASFAN AHMED	SCALE: AS GIVEN    DIMENSION: MM    DATE: MAY 2016	
CONCEPT AND DESIGN IN THIS DRAWING ARE THE PROPERTIES OF ARCHENG STUDIO PVT LTD. UNAUTHORIZED USE OR REPRODUCTION OF PART OF THE DESIGN, DRAWINGS OR CONCEPT TO USE IN OTHER PROJECTS OR SITES OTHER THAN SPECIFIED ON THIS DRAWING IS PROHIBITED			DWG NO: PROJECT NO.: